



AMERICA'S BEST VALUE IN SWING SETS.™

5.4 Bengal Fort

2014 Install Manual

Version 1.14



Tools Needed for Assembly

| | | |
|------------------------------|---------------------------------------|---|
| Tape Measure | 24" Level | Angle Square |
| Phillips Screw Driver | 3/8" Cordless Drill or Electric Drill | 3/8" Drive Ratchet or Electric Impact Gun |
| Claw Hammer or Rubber Mallet | Pliers or Vise Grips | 7/16" Deep Well Socket |
| 9/16" Deep Well Socket | 3/4" Deep Well Socket | 1/8", 1/4", and 9/16" Drill Bits |
| Phillips Head Screw Bits | An Adult with two Adult Helpers | |

Please familiarize yourself with the install manual, parts/components and general construction process of your new swing set before getting started. Approximate assembly time: 6 to 8 hours. 6 foot unobstructed safety perimeter around swing set recommended.

Choosing A Location For Your Playset

When choosing a location for your swing set, always keep your child or children's safety in mind. Here are some recommendations to help you locate and install a safe play area.

- This play set is designed for the use of 4 occupants who have a combined weight not exceeding 800 pounds on the elevated floor; 3 occupants who have a combined weight of 525 pounds on the swing area; for a total Unit capacity of 5 occupants who have a combined weight of 1325. (this weight is not including the picnic table area)
- On-site adult supervision is required.
- The swing set should be located on level ground. The stationary components such as ladders and slides are required to be a minimum of six feet from any structure or obstruction such as a fence, garage, house, tree, overhanging branches, electrical wires, clotheslines, etc. Any swinging equipment is also required to be a minimum distance twice the height of the swing beam away from these obstructions or structures as well. The swing set should be located a safe distance from any water hazards, such as a lake, river, bayou, swimming pool, etc.
- Do not install this residential swing set in a commercial setting. This swing set is not manufactured for commercial usage and will void all warranties. Tree Frogs Wooden Swing Set Factory is not responsible for any damages or injuries resulting from this swing set being used in a commercial setting.
- Never install this swing set indoors; or over concrete, asphalt, packed earth, grass, carpet or any other hard surface. A fall onto a hard surface can result in serious or fatal injury.
- The U.S. Consumer Product Safety Commission (CPSC) recommends that you install and maintain a resilient surface under your swing set. The CPSC's Consumer Information Sheet for Playground Surfacing Materials is on the next page. A resilient surface, should be installed after the swing set has been completely assembled according to these instructions. The swing set must rest on solid ground. Please note that this swing set has a maximum fall height of 7'.

Maintaining Your Swing Set

Here are some maintenance tips required to insure safe play on your swing set for years of fun.

- At the beginning of each usage season and every two weeks during, check: nuts and bolts and tighten as needed, swing seats, chains, ladders, slides, rope and wood components for sign of deterioration and replace if necessary.
- On a yearly basis, we recommend that you coat your swing set with a sealant or preservative. You may also want to spot sand any areas prior to sealing.

** Special note: Although we recommend that you reseal your swing set annually, you may have to touch up the high traffic areas and/or areas that have a high exposure to direct sunlight.**

- Be sure that the sealant you select is non-toxic and child safe. Your local Tree Frogs Wooden Swing Set Factory dealer may offer a complete power wash and reseal and maintenance program.
- Do not use line trimmers or "weed eaters" around your swing set. The line will remove both paint and wood from uprights and base pieces. Any damage resulting from this type of abuse is not covered under our limited warranty.
- Remove plastic swing seats and take in doors or do not use when temperature drops below 0°F.

Weight Limits for Tree Frogs Swing Sets

Fort Platform: 800 Lbs. Total Weight

Swing Belts: 175 Lbs.

Trapeze: 125 Lbs.

Full Bucket Swing: 50 Lbs.

Toddler Bucket Swing: 50 Lbs.

Tire Swing: 125 Lbs. Total Weight

Rope Ladder: 75 Lbs.

Rock Wall: 150 Lbs.

All Slides: 125 Lbs.

Tree Frogs recommends that the weight limits for all components must not be exceeded. Failure to adhere to these and other safety guidelines could result in damage to the swing set and/or injury to the users.

Please keep this install manual for future reference.

To insure SAFE PLAY adults must teach children:

- Not to walk close to, in front of, behind, or between moving items.
- Not to swing empty swing seats.
- Not to swing sideways into the path of adjacent swings.
- Not to use the swing set in a manner other than that for which it is intended.
- Not to get off the equipment while it is in motion.
- Not to jump off the tower.
- Not to stand in the swing seats.
- Not to swing so high that chains become slack, or above the height of the swing support.
- Not to jump on a slide.
- Not to climb on top of the swing support.
- Not to attach to the swing set any item that is not specifically designed for use with the equipment, such as (but not limited to) jump ropes, clotheslines, pet leashes, cables, and chains. These may become strangulation hazards.
- To hold on to swings and climbers with both hands.
- To slide feet first, never head first.
- To watch for other children while swinging or playing near the swing set.

To also insure SAFE PLAY adults must:

- Limit climbing and swinging heights to each child's ability.
- Verify that suspended climbing ropes are secured at both ends.
- Verify that suspended climbing ropes cannot be looped back on themselves.
- Dress children appropriately for play. Use well-fitted shoes that do not have slippery soles.
- Avoid ponchos, scarves, hoods, loose fitting clothing, neckties, and any clothing with a drawstring. Serious injury could result should any part of the children's clothing become entangled in the swing set.
- Do not allow children to play wearing helmets.
- Remember that children are inventive. When they develop games that are unsafe, be alert and change the rules.

IMPORTANT - PLEASE READ

As fresh lumber acclimates to its new environment, the natural tendencies of the tree can show itself in the form of checks, or "cracks" in the lumber. In almost all cases this is normal and it will not affect the structural integrity of your play set.

Cosmetic defects that do not affect the structural integrity of the product, or natural defects of wood such as warping, checking or any other physical properties of wood that do not present a safety hazard, are not covered by this warranty.

Defects that develop because the product is exposed to extreme climate conditions are not covered by this warranty.

Defects that develop as a result of faulty or improper installation of the product are also not covered by this warranty.

Most cracks are not warrantable, however if you believe that the integrity of your play set is compromised by this natural occurrence, please contact the Tree Frogs Swing Set Dealer that you purchased your swing set from.

We appreciate your purchase and know that you will enjoy your play system for many years to come.

Pre-Assembly Hints

- Depending on your experience, assembly of our play sets can take as little as 6 hours up to 24 hours, depending on size, after inventory of parts; therefore, we recommend you set aside a full two days for assembly.
- Identify all of the parts for your play set. Empty each box and lay out boards so you can see each part. Your instruction book will have detailed drawings that will make it easy for you to recognize individual parts. Keep all hardware and metal parts separate from wooden pieces.
- After everything is laid out, check carefully to ensure all parts are present. Make sure there are no broken boards.
- Find an area to sort your hardware. It is best to open the hardware on a solid surface so that you do not lose any pieces in the grass. This will save time and familiarize you with all the different pieces in the hardware bag.

****Important note:** Wood has some natural defects such as knots, surface cracks, etc... We reject parts that are structurally defective. We use a high quality lumber in our structures; however, you should inspect each part for splinters or rough spots and sand them smooth to prevent injury.**

- After familiarizing yourself with all of the components, read all instructions thoroughly. Reading instructions after you have studied the parts will help you understand more clearly the installation process, and help to eliminate unnecessary mistakes.
- Pay close attention to the diameter and length of each bolt and screw.
- Never tighten hardware completely at first. It helps to have some adjustment for bolt alignment while you are attaching parts together. After everything is square, tighten each joint.
- After the main unit is assembled it is critical that the floor is level and square. If the main frame is not level, the walls and floor will be out of square.
- After you complete installation, make sure every bolt, screw, and nut is tight, and every board is secure. Wood will expand and contract with the seasons.
- Place the set on level ground, not less than 6ft from any structure or obstruction such as a fence, garage, house, overhanging branches, laundry lines, or electrical wires.
- All 1/4" and 3/8" lag bolts must have pre-drilled holes 1-1/2" to 2" deep. Use a 1/8" drill bit for the 1/4" lag bolts and 1/4" drill bit for 3/8" lag bolts. Use pre-drilled holes in facias as a reference for placing lag bolt pilot holes.
- If a board lifts or rises causing a gap between boards when running in lag bolts or screws, back out the screw or lag bolt and press or apply pressure (but not enough to crack or break board) while re-running in the lag bolt or screw in the same hole.
- Do not over tighten bolts, lag bolts or screws. You can damage boards, break hardware, and/or strip out the hardware.
- When using hammer do not beat on the hardware, but gently tap it in. Never beat on the wood as it will leave marks.

Leveling Your Swing Set During Assembly

- Complete the steps which will be the basic frame of the fort {i.e. four corner posts with base (sand box boards) and deck supports}
- Position in the most level area chosen for the play set, keeping in mind the location and size of the swing beam, ladder, slides, etc. that extend off the fort.
- Once the frame is in the final position, check for vertical and horizontal levelness to determine which side(s) will need to be dug into the ground to level the play set.
- With a shovel, score the ground around the outside edges of the sandbox boards on the 'high' side of the fort. This is the area that will be dug in. Make sure to score deep enough; the scored lines will be your digging template.
- Push the frame off and away from the scored area, far enough to dig and remove dirt to reach the appropriate depth.
- Dig a channel along the scored line(s) for the base of the fort (corner post and sandbox boards) to rest into. Dig the channel(s) to the same level depth. The bottom of the channel(s) should be level to each other so your frame doesn't teeter or rock because the channel(s) are uneven.
- Once you have removed enough grass and dirt, slide/push the frame into the channel(s). Place a level on the vertical and horizontal boards of the frame to determine if enough soil, or too much, was removed.
- Repeat this process until the basic frame is plumb and level and in its final position before completing the rest of the assembly.
- Measure to make sure fort is square.

**** Important:** if you require a channel depth of more than 6", then we recommend you have your play set area professionally graded before completing assembly. **

CONSUMER INFORMATION SHEET FOR PLAYGROUND SURFACING MATERIALS

The U.S. Consumer Product Safety Commission (CPSC) estimates that about 100,000 playground equipment related injuries resulting from falls to the ground surface are treated annually in U.S. hospital emergency rooms. Injuries involving this hazard pattern tend to be among the most serious of all playground injuries, and have the potential to be fatal, particularly when the injury is to the head. The surface under and around playground equipment can be a major factor in determining the injury-causing potential of a fall. It is self-evident that a fall onto a shock-absorbing surface is less likely to cause a serious injury than a fall onto a hard surface. However, it should be recognized that some injuries from falls will occur no matter what playground surfacing material is used.

Playground equipment should never be placed on hard surfaces such as concrete or asphalt. Grass may appear to be acceptable, but can turn to hard packed earth in areas of high traffic. Shredded bark mulch, wood chips, or fine gravel are considered to be acceptable shock absorbing surfaces when installed and maintained at a sufficient depth under and around play equipment.

TABLE 1 -CRITICAL HEIGHTS (in feet) OF TESTED MATERIAL

| MATERIAL | UNCOMPRESSED DEPTH | | | COMPRESSED DEPTH |
|----------------------------|--------------------|--------|---------|------------------|
| | 6 Inch | 9 Inch | 12 Inch | 9 inch |
| Wood Chips | 7 | 10 | 11 | 10 |
| Double Shredded Bark Mulch | 6 | 10 | 11 | 7 |
| Engineered Wood Fibers | 6 | 7 | >12 | 6 |
| Fine Sand | 5 | 5 | 9 | 5 |
| Coarse Sand | 5 | 5 | 6 | 4 |
| Fine Gravel | 6 | 7 | 10 | 6 |
| Medium Gravel | 5 | 5 | 6 | 5 |
| Shredded Tires** | 10-12 | N/A | N/A | N/A |

** This is data from tests conducted by independent testing laboratories on a 6 inch depth of uncompressed shredded tire samples produced by four manufacturers. The test reported critical heights, which varied from 10 feet to greater than 12 feet. It is recommended that persons seeking to install shredded tires as a protective surface request test data from the supplier showing the critical height of the material when it was tested in accordance with ASTM F1292.

Table 1 should be read as follows: If, for example, uncompressed wood chips are used at a minimum of 6 inches, the Critical Height is 7 feet. If 9 inches of uncompressed wood chips are used, the Critical Height is 10 feet. It should be noted that, for some materials, the Critical Height decreases when the material is compressed. It is recommended that a shock absorbing material should extend a minimum of 6 feet in all directions from the perimeter of stationary equipment such as climbers and slides. However, because children may deliberately jump from a moving swing, the shock absorbing material should extend in the front and rear of a swing a minimum distance of 2 times the height of the pivot point measured from a point directly beneath the pivot on the supporting structure.

This information is intended to assist in comparing the relative shock-absorbing properties of various materials. No particular material is recommended over another. However, each material is only effective when properly maintained. Materials should be checked periodically and replenished to maintain correct depth as determined necessary for your equipment. The choice of a material depends on the type and height of the playground equipment, the availability in your area, and its cost.

This information has been extracted from the CPSC publications “Playground Surfacing-Technical Information Guide” and “Handbook for Public Playground Safety.” Copies of these reports can be obtained by sending a postcard to:

Office of Public Affairs
U.S. Consumer Product Safety Commission
Washington, D.C. 20207
Toll-free Hotline: 1-800-638-2772 or at <http://www.cpsc.gov>

Bengal Fort Universal Bundle

| Item No. | Part Number | Part Description | QTY. |
|----------|-------------|-------------------------------|------|
| 1 | 13-4-00076 | UNIVERSAL 4 HOLE FACIA | 7 |
| 2 | 17-4-00157 | UNIVERSAL FORT MAIN BEAM | 2 |
| 3 | 16-4-00285 | UNIVERSAL FORT TOP JOIST SB | 1 |
| 4 | 16-4-00283 | UNIVERSAL FORT TRAPEZE ARM | 1 |
| 5 | 16-4-00216 | (L) GUSSET BRACKET | 3 |
| 6 | 16-4-00217 | (R) GUSSET BRACKET | 3 |
| 7 | 13-4-00077 | UNIVERSAL 8-HOLE FACIA | 2 |
| 8 | 16-4-00214 | UNIVERSAL FORT CENTER UPRIGHT | 2 |
| 9 | 13-4-00068 | UNIVERSAL 6 HOLE FACIA | 2 |
| 10 | 12-4-00141 | UNIVERSAL RAIL BOTTOM | 4 |

5.4 Bengal Fort Bundle A.

| | | | |
|----|------------|-----------------------------|---|
| 11 | 13-4-00076 | UNIVERSAL 4 HOLE FACIA | 2 |
| 12 | 16-4-00291 | 116" FORT CORNER POST | 4 |
| 13 | 16-4-00294 | 86" FORT (L) LADDER LEG | 1 |
| 14 | 16-4-00295 | 86" FORT (R) LADDER LEG | 1 |
| 15 | 13-4-00079 | UNIVERSAL FORT LADDER STEPS | 6 |

Universal Deck

| | | | |
|------|------------|------------------|---|
| 16-1 | 12-4-00139 | SMALL DECK BOARD | 8 |
| 16-2 | 13-4-00064 | LARGE DECK BOARD | 6 |
| 16-3 | 12-4-00138 | DECK RUNNER | 4 |
| 16-4 | 13-4-00063 | DECK SUPPORT | 2 |

Tarp Bundle

| | | | |
|----|------------|----------------------------|---|
| 17 | 16-4-00284 | UNIVERSAL FORT CENTER POST | 2 |
| 18 | 12-4-00145 | UNIVERSAL TARP BOARD | 3 |

Bengal Fort Wood Roof Bundle

| | | | |
|----|------------|--------------------------|----|
| 19 | 12-4-00206 | WOOD ROOF SUPPORT (R) | 2 |
| 20 | 12-4-00207 | WOOD ROOF SUPPORT (L) | 2 |
| 21 | 10-4-00331 | WOOD ROOF CENTER SUPPORT | 2 |
| 22 | 19-4-00084 | WOOD ROOF BOARD | 20 |
| 23 | 10-4-00332 | FORT FAN BOARD #1 | 2 |
| 24 | 10-4-00333 | FORT FAN BOARD #2 | 4 |
| 25 | 10-4-00334 | FORT FAN BOARD #3 | 2 |
| 26 | 11-4-00174 | FORT FAN BOARD #4 | 2 |
| 27 | 20-4-00007 | WOOD ROOF PEAK FACIA | 2 |
| 28 | 16-4-00290 | WOOD ROOF CENTER POST | 2 |

5.4 Bengal Fort Rockwall Bundle

| Item No. | Part Number | Part Description | QTY. |
|----------|-------------|---------------------------------|------|
| 29 | 16-4-00304 | 85 1/2" FORT (R) RW LADDER LEG | 1 |
| 30 | 16-4-00303 | 85 1/2" FORT (L) RW LADDER LEG | 1 |
| 31 | 11-4-00138 | UNI. FORT RW BOARD W/ ROPE HOLE | 1 |
| 32 | 11-4-00139 | UNI. FORT RW BOARD BLANK | 4 |
| 33 | 11-4-00140 | UNI. RW BOARD W/ HOLES | 8 |
| 34 | 10-4-00266 | UNI. RW BOARD BLANK | 1 |
| 35 | 16-4-00215 | UNIVERSAL ROPE BLOCK | 1 |
| 36 | 16-4-00218 | UNIVERSAL ENTRAPMENT BLOCK | 2 |

63-7-00002 Universal Rail (Count Depends on Package)

| | | | |
|----|--|--------------------|---|
| 37 | | UNIVERSAL RAIL TOP | 1 |
| 38 | | RAIL BOTTOM | 1 |
| 39 | | RAIL SPINDLE | 5 |

5.4 Bengal/ Megadeck Standard Box

| Item No. | Part Number | Part Description | QTY. |
|----------|-------------|---------------------------------|------|
| 40 | 59-1-00013 | TREE FROGS PLAQUE | 1 |
| 41 | 57-2-00004 | 1 1/4" PLAY GRIP SAFETY HANDLES | 5 |
| 42 | 57-2-00005 | 1 1/4" PLAY GRIP LADDER HANDLES | 2 |
| 43 | 56-1-00012 | DUCTILE IRON SWING HANGERS | 2 |
| 44 | 59-1-00011 | SPRING CLIPS 10 X 100MM | 2 |
| 45 | 58-1-00013 | FORT LADDER BRACKET | 1 |

Box A. Multicolor (BYB & RYR)

| | | | |
|----|------------|----------------------------------|---|
| 46 | 37-1-00018 | 19" SHIP'S WHEEL- YELLOW | 1 |
| 47 | 37-1-00021 | TELESCOPE | 1 |
| 48 | 60-1-00006 | 20" TRAPEZE W/ 43" CHAIN- YELLOW | 1 |

Box B. Green

| | | | |
|----|------------|----------------------------------|---|
| 49 | 37-1-00019 | 19" SHIP'S WHEEL- GREEN | 1 |
| 50 | 37-1-00021 | TELESCOPE | 1 |
| 51 | 60-1-00006 | 20" TRAPEZE W/ 43" CHAIN- YELLOW | 1 |

Tarp (Color Varies with order)

| | | | |
|----|------------|----------------------------------|---|
| 52 | 61-8-00052 | FORT 53" X 92" VINYL TARP- BYB | 1 |
| 53 | 61-8-00053 | FORT 53" X 92" VINYL TARP- RYR | 1 |
| 54 | 61-8-00051 | FORT 53" X 92" VINYL TARP- GREEN | 1 |

Fort Rockwall Box Multi- Color

| Item No. | Part Number | Part Description | QTY. |
|----------|-------------|------------------------|------|
| 55 | 36-1-00023 | LARGE ROCK MULTI-COLOR | 16 |
| 56 | 65-7-00017 | 14' YELLOW ROPE | 1 |

Fort Rockwall Box Green

| Item No. | Part Number | Part Description | QTY. |
|----------|-------------|------------------|------|
| 57 | 36-1-00024 | LARGE ROCK GREEN | 16 |
| 58 | 65-7-00017 | 14' YELLOW ROPE | 1 |

5.4 BENGAL STANDARD HARDWARE

| | | | |
|----|------------|----------------------------------|----|
| 59 | 40-1-00084 | 3/4" USS FLATWASHER | 12 |
| 60 | 40-1-00083 | 1/2" USS FLATWASHER | 12 |
| 61 | 40-1-00082 | 3/8" USS FLATWASHER | 76 |
| 62 | 40-1-00081 | 1/4" USS FLATWASHER | 75 |
| 63 | 40-1-00073 | 3/8" SPLIT LOCKWASHER | 4 |
| 64 | 40-1-00074 | 1/2" SPLIT LOCKWASHER | 12 |
| 65 | 40-1-00028 | 1/2" HEX NUT | 12 |
| 66 | 40-1-00064 | 3/8" NYLON INSERT LOCKNUT | 4 |
| 67 | 40-1-00001 | 3/8" ACORN NUT PLATED | 4 |
| 68 | 40-1-00002 | 1/2" ACORN NUT PLATED | 12 |
| 69 | 41-1-00025 | 3/8" BOLT CUP | 4 |
| 70 | 40-1-00013 | 1/2" X 7" CARRIAGE BOLT | 12 |
| 71 | 40-1-00043 | 3/8" X 5" HEX BOLT | 4 |
| 72 | 40-1-00061 | 3/8" X 5" LAG BOLT | 2 |
| 73 | 40-1-00059 | 3/8" X 3 1/2" LAG BOLT | 70 |
| 74 | 40-1-00056 | 1/4" X 4 1/2" LAG BOLT | 26 |
| 75 | 40-1-00055 | 1/4" X 3" LAG BOLT | 20 |
| 76 | 40-1-00054 | 1/4" X 2" LAG BOLT | 12 |
| 77 | 40-1-00069 | #14 X 1 1/4" PAN PHILLIPS T/S ZP | 2 |
| 78 | 40-1-00070 | #14 X 2" PAN PHILLIPS | 17 |

Box A. & B. Hdwr.

| | | | |
|----|------------|------------------------|----|
| 79 | 40-1-00056 | 1/4" X 4 1/2" LAG BOLT | 24 |
| 80 | 40-1-00061 | 3/8" X 5" LAG BOLT | 2 |
| 81 | 40-1-00081 | 1/4" USS FLATWASHER | 24 |
| 82 | 40-1-00082 | 3/8" USS FLATWASHER | 2 |

Tarp

| Item No. | Part Number | Part Description | QTY. |
|----------|-------------|--------------------|------|
| 83 | 61-7-00130 | TARP SNAP HARDWARE | 1 |

Bengal Fort Wood Roof Hdwr. Bag

| | | | |
|----|------------|-----------------------------|-----|
| 84 | 40-1-00083 | 1/2" USS FLATWASHER | 4 |
| 85 | 40-1-00082 | 3/8" USS FLATWASHER | 4 |
| 86 | 40-1-00081 | 1/4" USS FLATWASHER | 16 |
| 87 | 40-1-00073 | 3/8" SPLIT LOCKWASHER | 4 |
| 88 | 40-1-00026 | 3/8" HEX NUT | 4 |
| 89 | 40-1-00001 | 3/8" ACORN NUT | 4 |
| 90 | 40-1-00115 | 3/8" X 5 1/2" CARRIAGE BOLT | 4 |
| 91 | 40-1-00022 | 2 1/2" COATED DECK SCREW | 12 |
| 92 | 40-1-00020 | 1 5/8" COATED DECK SCREW | 130 |

Rockwall Hardware

| | | | |
|----|------------|------------------------------|----|
| 93 | 40-1-00061 | 3/8" X 5" LAG BOLTS | 8 |
| 94 | 40-1-00022 | 2 1/2" COATED DECK SCREWS | 56 |
| 95 | 40-1-00067 | 1/4" 1 1/2" PAN PHILLIPS M/S | 32 |
| 96 | 40-1-00077 | 1/4" X 7/16" 4 PRONG T-NUT | 32 |
| 97 | 40-1-00082 | 3/8" USS FLATWASHER | 8 |
| 98 | 40-1-00081 | 1/4" USS FLATWASHER | 32 |

63-7-00002 Universal Rail (Count Depends on Package)

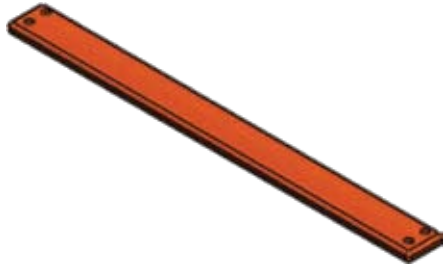
| | | | |
|----|------------|--------------------------|----|
| 99 | 40-1-00022 | 2 1/2" COATED DECK SCREW | 20 |
|----|------------|--------------------------|----|

Universal Deck Hardware

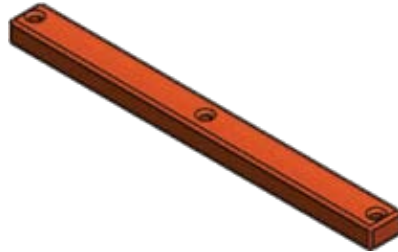
| | | | |
|------|------------|--------------------------|----|
| 16-5 | 40-1-00022 | 2 1/2" COATED DECK SCREW | 84 |
|------|------------|--------------------------|----|

Bengal Fort Universal Bundle Lumber

#1
13-4-00076
Universal 4 Hole Facia”
QTY. 7



#2
17-4-00157
Universal Fort Main Beam”
QTY. 2



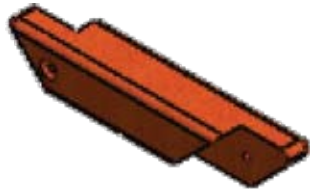
#3
16-4-00285
Universal Fort Top Joist SB
QTY. 1



#4
16-4-00283
Universal Fort Trapeze Arm”
QTY. 1



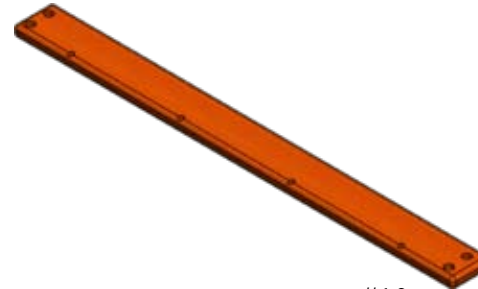
#5
16-4-00216
(L) Gusset Bracket”
QTY. 3



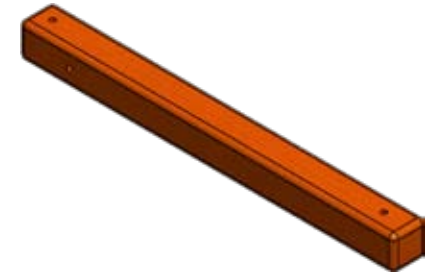
#6
16-4-00217
(R) Gusset Bracket”
QTY. 3



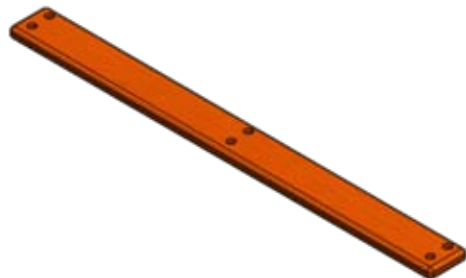
#7
13-4-00077
Universal 8 Hole Facia”
QTY. 2



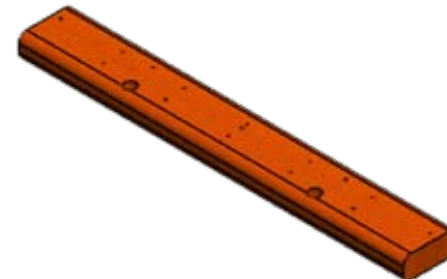
#8
16-4-00214
Universal Fort Center Upright”
QTY. 2



#9
13-4-00068
Universal 6 Hole Facia”
QTY. 2

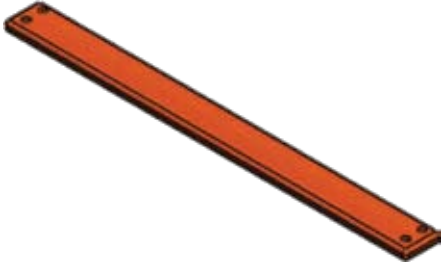


#10
12-4-00141
Universal Rail Bottom”
QTY. 4



5.4 Bengal Fort Bundle A.

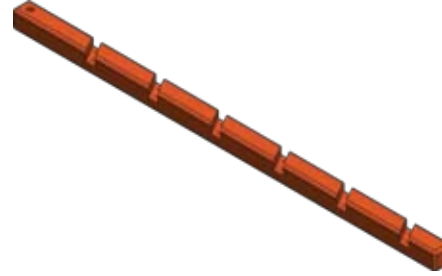
#11
13-4-00076
Universal 4 Hole Facia ”
QTY. 2



#12
16-4-00291
116” Fort Corner Post
QTY. 4



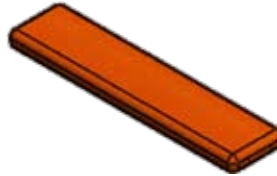
#13
16-4-00294
86” Fort (L) Ladder Leg
QTY. 1



#14
16-4-00295
86” Fort (R) Ladder Leg
QTY. 1

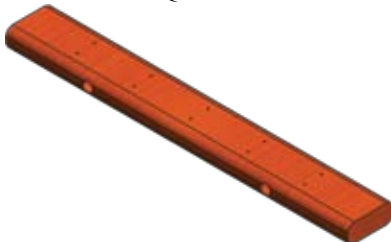


#15
13-4-00079
Fort Ladder Steps
QTY. 6

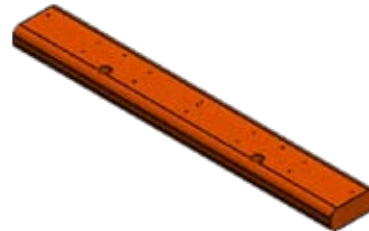


Universal Rail

#37
Universal Rail top
QTY. 1



#38
Universal Rail Bottom
QTY. 1



#39
Rail Spindle
QTY. 5



Universal Deck Bundle

#16-1
12-4-00139
Small Deck Board
QTY. 8



#16-2
13-4-00064
Large Deck Board
QTY. 6



#16-3
12-4-00138
Deck Runner
QTY. 4



#16-4
13-4-00063
Deck Support
QTY. 2



Bengal Fort Tarp Bundle Lumber

#17
16-4-00284
Universal Fort Center Post
QTY. 2



#18
12-4-00145
Universal Tarp Board
QTY. 3



Bengal Fort Wood Roof Bundle Cont.

#19
12-4-00206
Wood Roof Support (R)
QTY. 2



#20
12-4-00207
Wood Roof Support (L)
QTY. 2



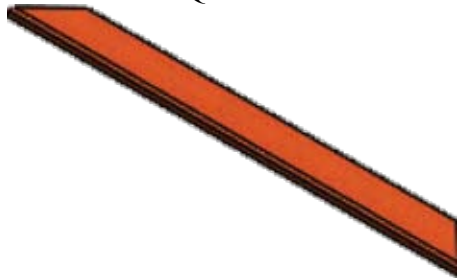
#21
10-4-00331
Wood Roof Center Support
QTY. 2



#22
19-4-00084
Wood Roof Board
QTY. 20



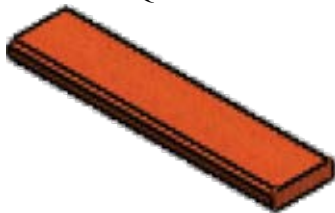
#23
10-4-00332
Fort Fan Board #1
QTY. 2



#24
10-4-00333
Fort Fan Board #2
QTY. 4



#25
10-4-00334
Fort Fan Board #3
QTY. 2



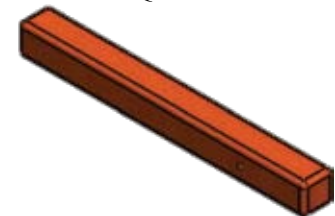
#26
11-4-00174
Fort Fan Board #4
QTY. 2



#27
20-4-00007
Wood Roof Peak Facia
QTY. 2



#28
16-4-00290
Wood Roof Center Post
QTY. 2



5.4 Bengal Fort Rockwall Lumber

#29
16-4-00304
85 1/2" Fort (R) RW Leg
QTY. 1



#30
16-4-00303
85 1/2" Fort (L) RW Leg
QTY. 1



#31
11-4-00138
Uni. Fort RW Board w/ Rope Hole
QTY. 1



#32
11-4-00139
Uni. Fort RW Blank
QTY. 4



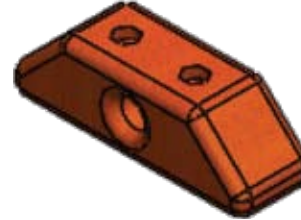
#33
11-4-00140
Uni. RW board w/ Holes
QTY. 8



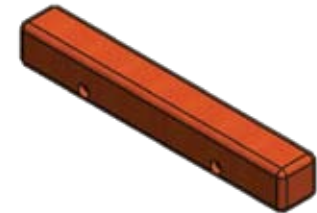
#34
10-4-00266
Uni. RW Board Blank
QTY. 1



#35
16-4-00215
Universal Rope Block
QTY. 1



#36
16-4-00218
Uni. Entrapment Block
QTY. 2

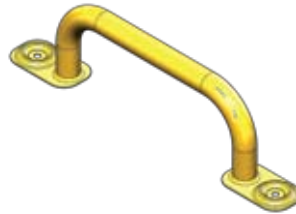


5.4 Bengal/ Megadeck Standard Box

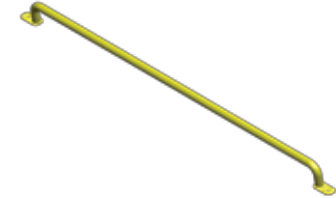
#37
59-1-00013
Tree Frogs Plaque
QTY. 1



#38
57-2-00004
1 1/4" Play Grip Safety Handles
QTY. 5



#39
57-2-00005
1 1/4" Play Grip Ladder Handles
QTY. 2



#40
56-1-00012
Ductile Iron hangers
QTY. 2



#41
59-1-00011
Spring Clips 10 x 100mm
QTY. 2



#42
58-1-00013
Fort Ladder Bracket
QTY. 1



Box A. &B Multicolor & Green(BYB & RYR & Green)

#43
37-1-00018
19" Ship's Wheel- Yellow
QTY. 1



#44 & 47
37-1-00021
Telescope
QTY. 1



#45 & 48
60-1-00006
20" Trapeze w/ 43" Chain- Yellow
QTY. 1



#46
37-1-00019
19" Ship's Wheel- Green
QTY. 1



Tarp (Color Varies With Order)

#49

61-8-00052

Fort 53" x 92" Vinyl Tarp- BYB

QTY. 1



#50

61-8-00053

Fort 53" x 92" Vinyl Tarp-RYR

QTY. 1



#51

61-8-00051

Fort 53" x 92" Vinyl Tarp- Green

QTY. 1



Fort Rockwall Box (Rock color determined with box)

#52

36-1-00023

Large Rock- (Multi- Color)

QTY. 16



#53 & 55

65-7-00017

14' Yellow Rope

QTY. 1



#54

36-1-00024

Large Rocks- (Green)

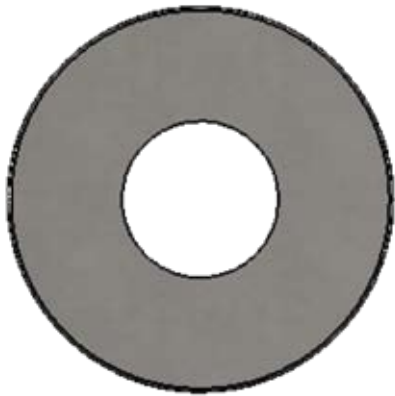
QTY. 16



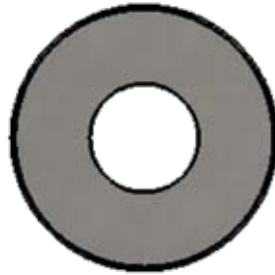
5.4 BENGAL STANDARD HDWR.

INSTALLER NOTE: (YOU MUST ASSEMBLE THIS PRODUCT IN ACCORDANCE WITH THESE ASSEMBLY INSTRUCTIONS. WHEN COMPLETE GIVE MANUAL TO OWNER.)

#56
40-1-00084
3/4" USS Flatwasher
QTY. 12



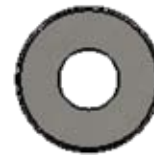
#57
40-1-00083
1/2" USS Flatwasher
QTY. 12



#58
40-1-00082
3/8" USS Flatwasher
QTY. 76



#59
40-1-00081
1/4" USS Flatwasher
QTY. 75



#60
40-1-00073
3/8" Split Lockwasher
QTY. 4



#61
40-1-00028
1/2" Hex Nut
QTY. 12



#62
40-1-00064
3/8" Nylon Insert Locknut
QTY. 4



#63
40-1-00001
3/8" Acorn Nut Plated
QTY. 4



#64
40-1-00002
1/2" Acorn Nut Plated
QTY. 12



#65
41-1-00025
3/8" Bolt Cup
QTY. 4



MEASUREMENT TAKEN FROM BOTTOM OF BOLT HEAD TO THE BOTTOM OF BOLT

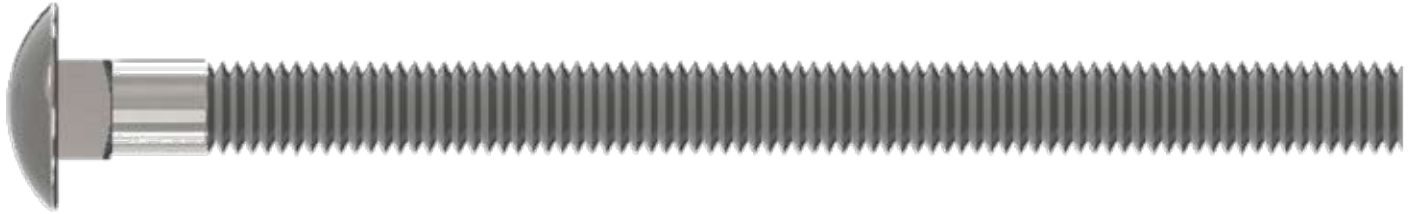


USE THE RULER TO MEASURE YOUR BOLTS AND SCREWS. HARDWARE VIEWS SHOWN ABOVE ARE 1:1 SCALE AND CAN BE USED TO MATCH HARDWARE SIZES.

5.4 BENGAL STANDARD HDWR.

INSTALLER NOTE: (YOU MUST ASSEMBLE THIS PRODUCT IN ACCORDANCE WITH THESE ASSEMBLY INSTRUCTIONS. WHEN COMPLETE GIVE MANUAL TO OWNER.)

#66
40-1-00013
1/2" x 7" Carriage Bolt
QTY. 12



#67
40-1-00043
3/8" x 5" Hex Bolt
QTY. 4



#68
40-1-00061
3/8" x 5" Lag Bolt
QTY. 2



#69
40-1-00059
3/8" x 3 1/2" Lag Bolt
QTY. 70



#70
40-1-00056
1/4" x 4 1/2" Lag Bolt
QTY. 26



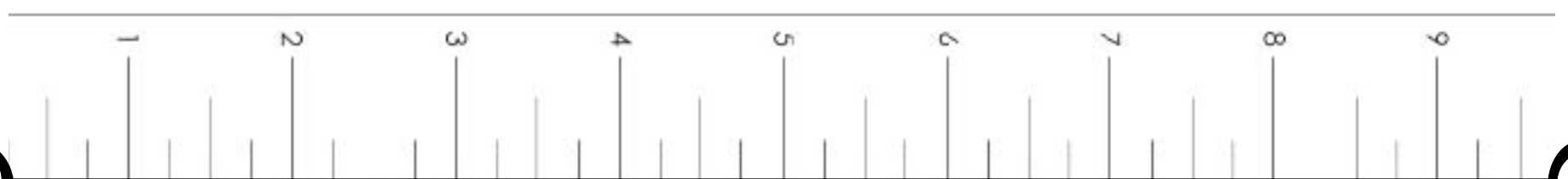
#71
40-1-00055
1/4" x 3" Lag Bolt
QTY. 20



#72
40-1-00054
1/4" x 2" Lag Bolt
QTY. 12



MEASUREMENT TAKEN FROM BOTTOM OF BOLT HEAD TO THE BOTTOM OF BOLT



5.4 BENGAL STANDARD HDWR.

INSTALLER NOTE: (YOU MUST ASSEMBLE THIS PRODUCT IN ACCORDANCE WITH THESE ASSEMBLY INSTRUCTIONS. WHEN COMPLETE GIVE MANUAL TO OWNER.)

#73
40-1-00069
#14 x 1 1/4" Pan Phillips T/S
QTY. 2



#74
40-1-00070
#14 x 2" Pan Phillips
QTY. 17



BOX A& B HDWR.

#75
40-1-00056
1/4" x 4 1/2" Lag Bolt
QTY. 24



#76
40-1-00061
3/8" x 5" Lag Bolt
QTY. 2



#77
40-1-00081
1/4" USS Flatwasher
QTY. 24



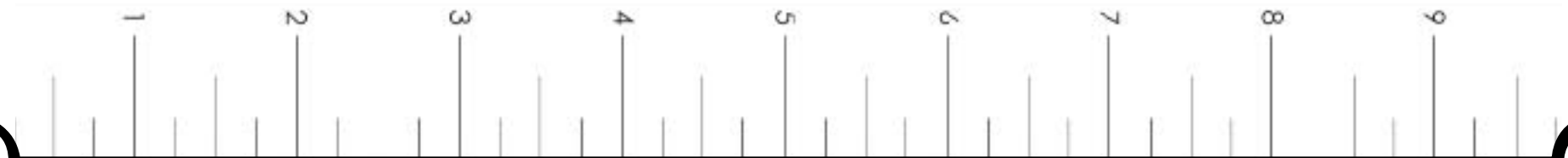
#78
40-1-00082
3/8" USS Flatwasher
QTY. 2



#79
61-7-00130
Tarp Snap Hardware
QTY. 1



MEASUREMENT TAKEN FROM BOTTOM OF BOLT HEAD TO THE BOTTOM OF BOLT



5.4 BENGAL WOOD ROOF HDWR.

INSTALLER NOTE: (YOU MUST ASSEMBLE THIS PRODUCT IN ACCORDANCE WITH THESE ASSEMBLY INSTRUCTIONS. WHEN COMPLETE GIVE MANUAL TO OWNER.)

#80
40-1-00083
1/2" USS Flatwasher
QTY. 4



#81
40-1-00082
3/8" USS Flatwasher
QTY. 4



#82
40-1-00081
1/4" USS Flatwasher
QTY. 16



#83
40-1-00073
3/8" Split Lockwasher
QTY. 4



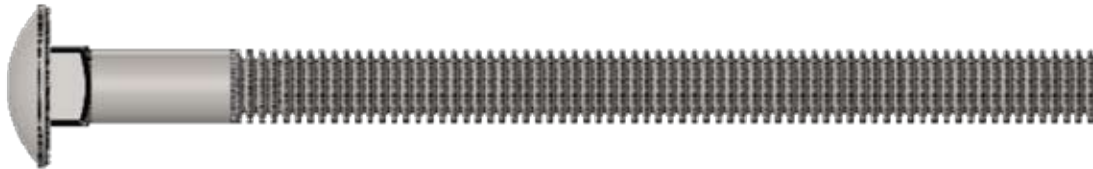
#84
40-1-00082
3/8" Hex Nut
QTY. 4



#85
40-1-00001
3/8" Acorn Nut
QTY. 4



#86
40-1-00115
3/8" x 5 1/2" Carriage Bolt
QTY. 4



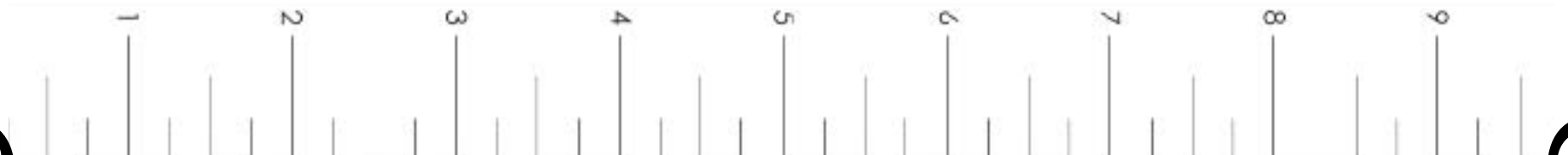
#87
40-1-00022
2 1/2" Coated Deck Screw
QTY. 12



#88
40-1-00020
1 5/8" Coated Deck Screw
QTY. 130



MEASUREMENT TAKEN FROM BOTTOM OF BOLT HEAD TO THE BOTTOM OF BOLT



5.4 BENGAL ROCKWALL HDWR.

INSTALLER NOTE: (YOU MUST ASSEMBLE THIS PRODUCT IN ACCORDANCE WITH THESE ASSEMBLY INSTRUCTIONS. WHEN COMPLETE GIVE MANUAL TO OWNER.)

#89
40-1-00061
3/8" x 5" Lag Bolt
QTY. 8



#90
40-1-00022
2 1/2" Coated Deck Screw
QTY. 56



#91
40-1-00067
1/4" x 1 1/2" Pan Phillips M/S
QTY. 32



#92
40-1-00077
1/4" x 7/16" 4 Prong T-Nut
QTY. 32



#93
40-1-00082
3/8" USS Flatwasher
QTY. 8



#94
40-1-00081
1/4" USS Flatwasher
QTY. 32

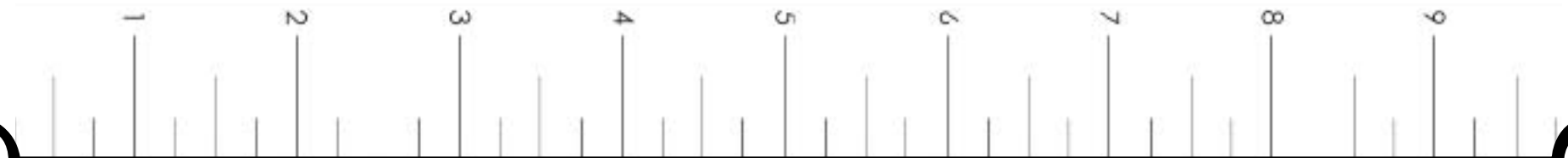


DECK HARDWARE

#16-5
40-1-00022
2 1/2" Coated Deck Screw
QTY. 84



MEASUREMENT TAKEN FROM BOTTOM OF BOLT HEAD TO THE BOTTOM OF BOLT



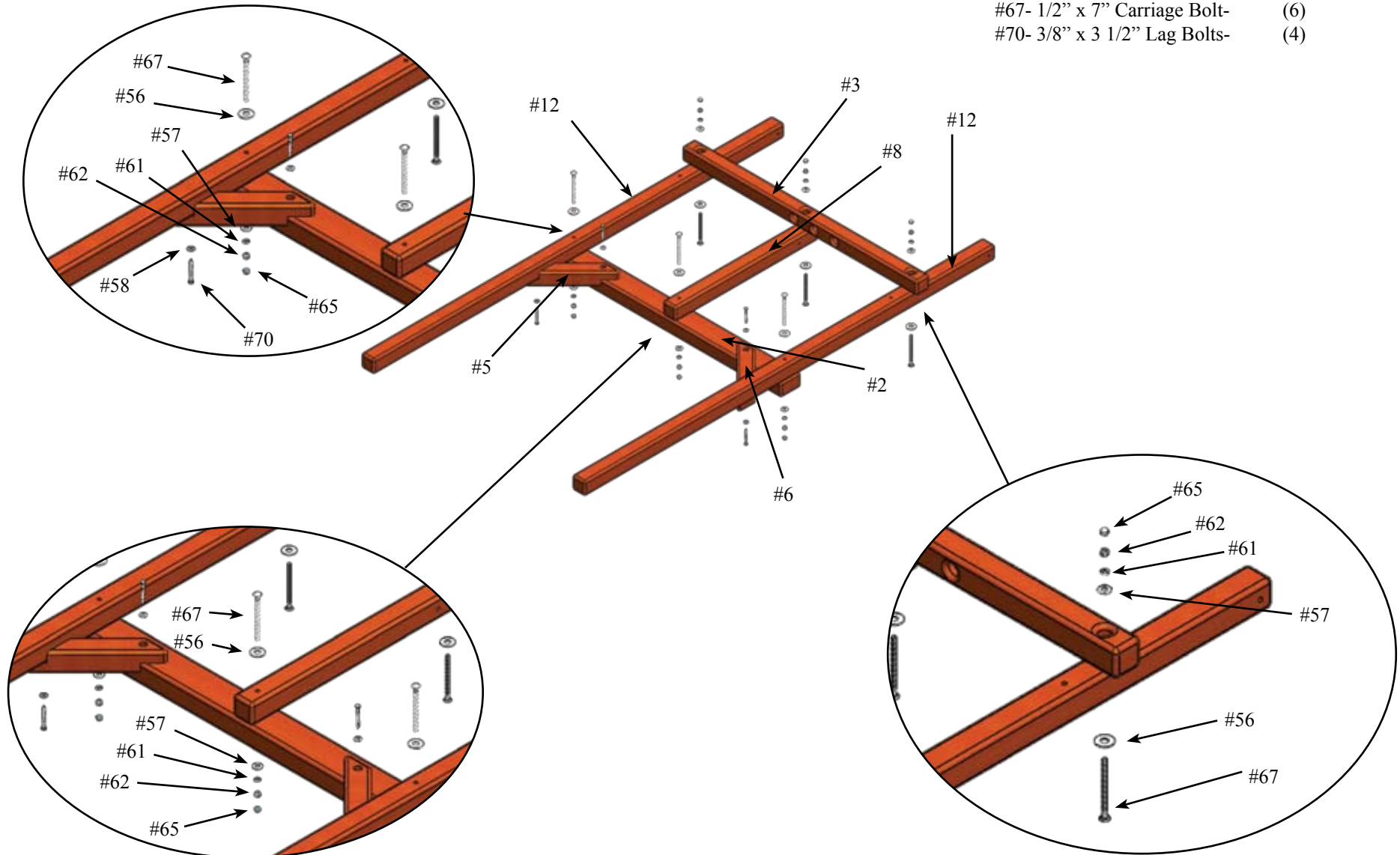
BLANK SIDE WALL

PARTS NEEDED

- #12- 116" Fort Corner Post- (2)
- #2- Universal Fort Main Beam- (1)
- #3- Universal Fort Top Joist SB- (1)
- #5- (L) Gusset Bracket- (1)
- #6- (R) Gusset Bracket- (1)
- #8- Universal Fort Center Upright- (1)

HARDWARE NEEDED

- #56- 3/4" USS Flatwasher- (6)
- #57- 1/2" USS Flatwasher- (6)
- #58- 3/8" USS Flatwasher- (4)
- #61- 1/2" Split Lockwasher- (6)
- #62- 1/2" Hex Nut- (6)
- #65- 1/2" Acorn Nut Plated- (6)
- #67- 1/2" x 7" Carriage Bolt- (6)
- #70- 3/8" x 3 1/2" Lag Bolts- (4)



BLANK SIDE WALL

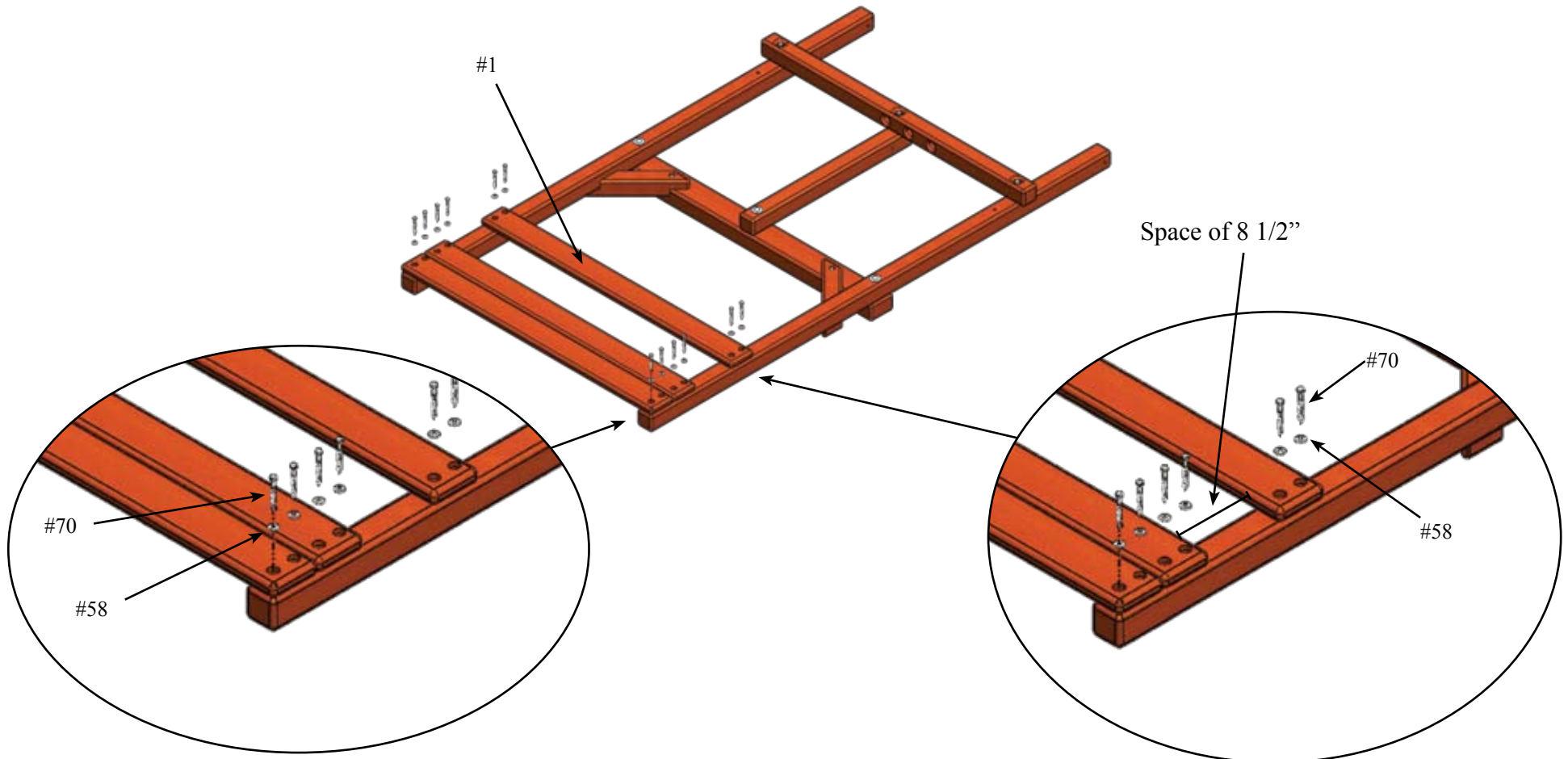
PARTS NEEDED

#1- Universal 4 Hole Facia- (3)

HARDWARE NEEDED

#58- 3/8" USS Flatwasher- (12)

#70- 3/8" x 3 1/2" Lag Bolt- (12)



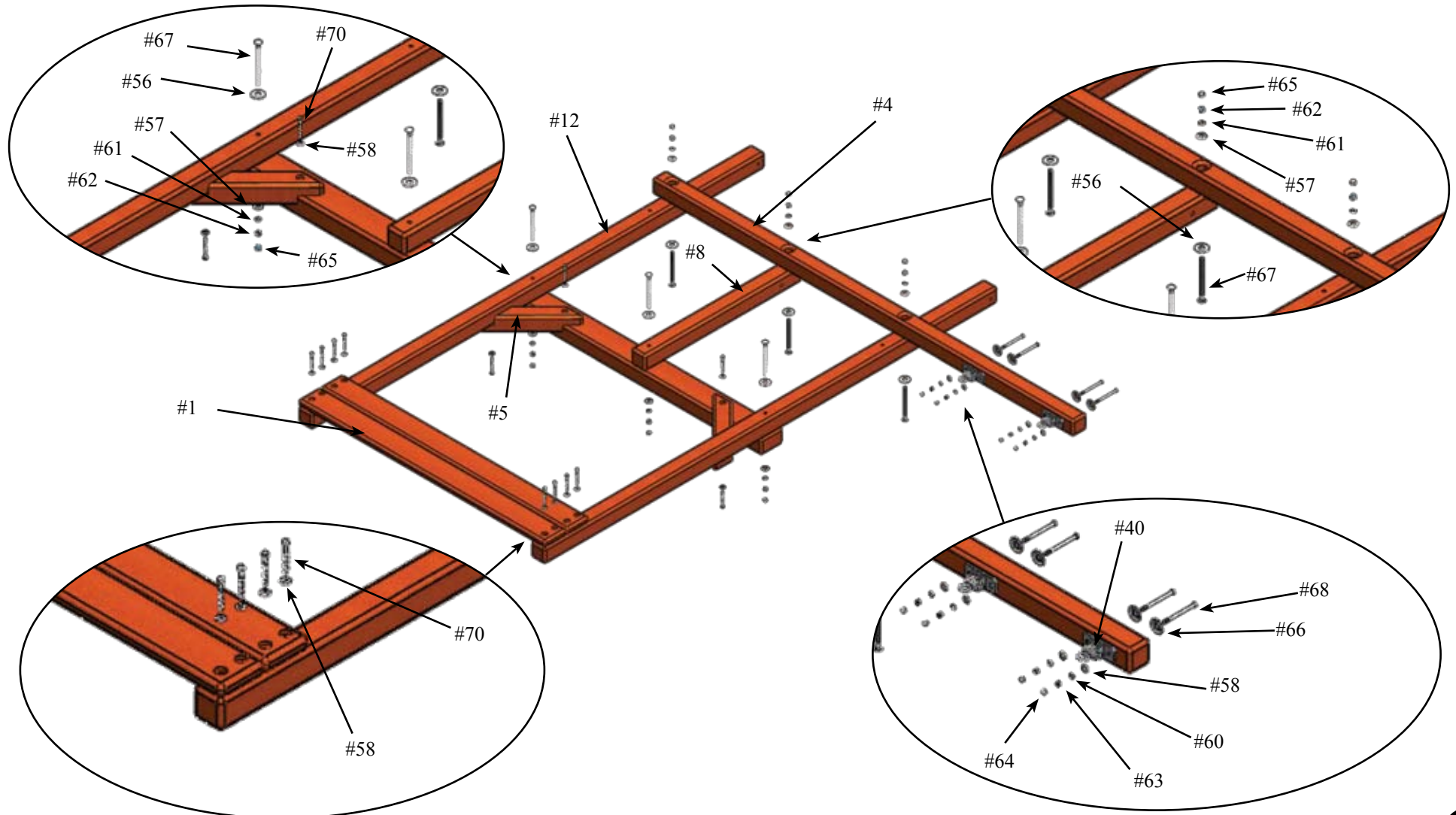
TRAPEZE SIDE WALL

PARTS NEEDED

- #12- 116" Fort Corner Post- (2)
- #2- Universal Fort Main Beam- (1)
- #4- Universal Fort Trapeze Arm- (1)
- #5- (L) Gusset Bracket- (1)
- #6- (R) Gusset Bracket- (1)
- #8- Universal Fort Center Upright- (1)

HARDWARE NEEDED

- | | | | |
|--------------------------------|------|-------------------------------|------|
| #56- 3/4" USS Flatwasher- | (6) | #57- 1/2" USS Flatwasher- | (6) |
| #58- 3/8" USS Flatwasher- | (16) | #61- 1/2" Split Lockwasher- | (6) |
| #62- 1/2" Hex Nut- | (6) | #65- 1/2" Acorn Nut Plated- | (6) |
| #67- 1/2" x 7" Carriage Bolt- | (6) | #70- 3/8" x 3 1/2" Lag Bolts- | (12) |
| #68- 3/8" x 5" Hex Bolt- | (4) | #66- 3/8" Bolt Cup- | (4) |
| #60- 3/8" Split Lockwasher- | (4) | #63- 3/8" Hex Nut- | (4) |
| #64- 3/8" Nylon Inset Locknut- | (4) | | |



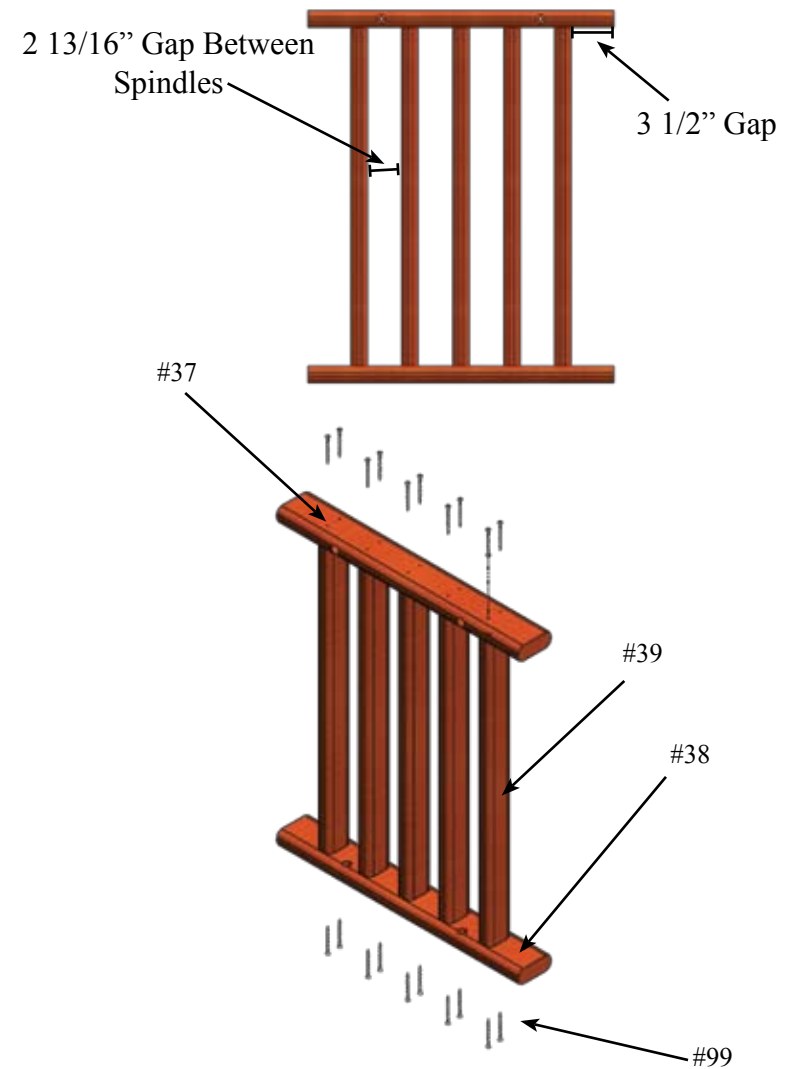
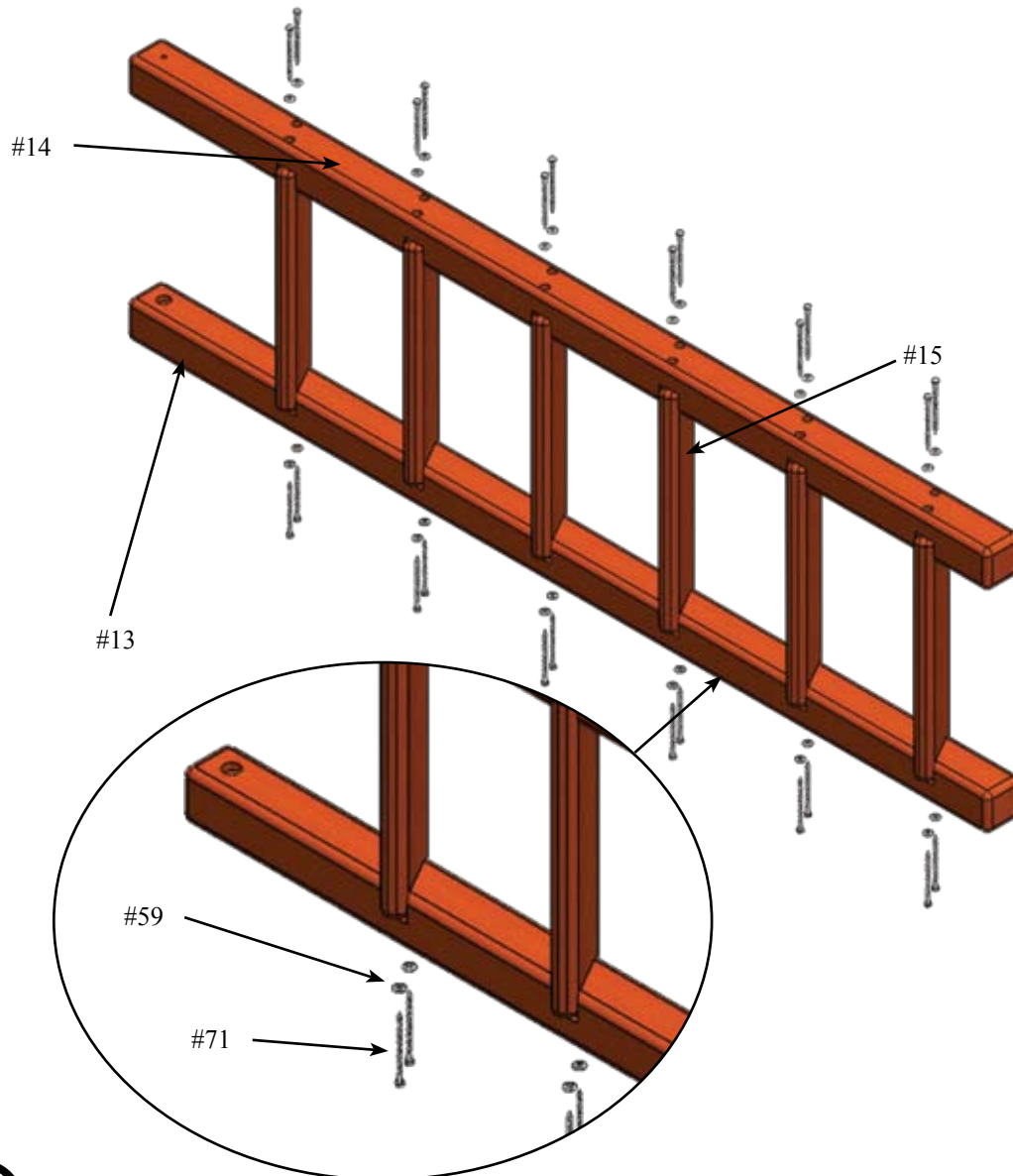
LADDER & RAIL ASSEMBLY

PARTS NEEDED

- | | |
|---------------------------------------|------------------------------|
| #13- 86" Fort (L) Ladder Leg- (1) | #37- Universal Rail Top- (1) |
| #14- 86" Fort (R) Ladder Leg- (1) | #38- Rail Bottom- (1) |
| #15- Universal Fort Ladder Steps- (6) | #39- Rail Spindle- (5) |

HARDWARE NEEDED

- | |
|-------------------------------------|
| #71- 1/4" x 4 1/2" Lag Bolt- (24) |
| #59- 1/4" Uss Flatwasher- (24) |
| #99- 2 1/2" Coated Deck Screw- (20) |



BENGAL FORT ROCKWALL

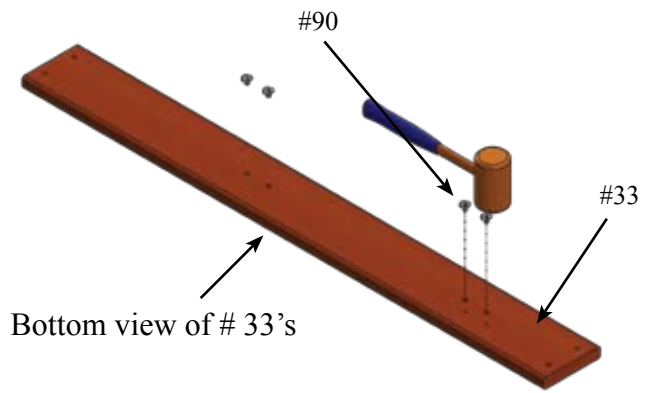
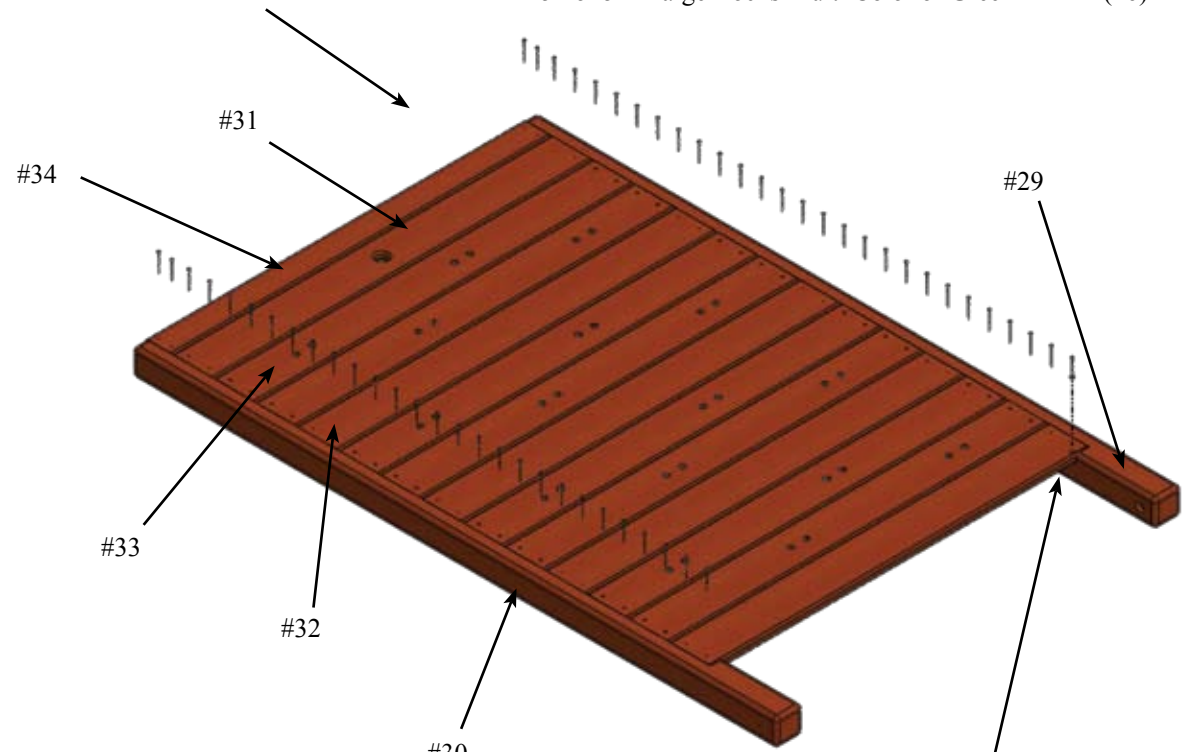
PARTS NEEDED

- #29- 85 1/2" Fort (R) RW Ladder Leg- (1)
- #30- 85 1/2" Fort (L) RW Ladder Leg- (1)
- #31- Uni. Fort RW Board w/ Rope Hole- (1)
- #32- Uni. Fort RW Board Blank- (4)
- #33- Uni. RW Board w/ Holes- (8)
- #34- Universal RW Board Blank- (1)

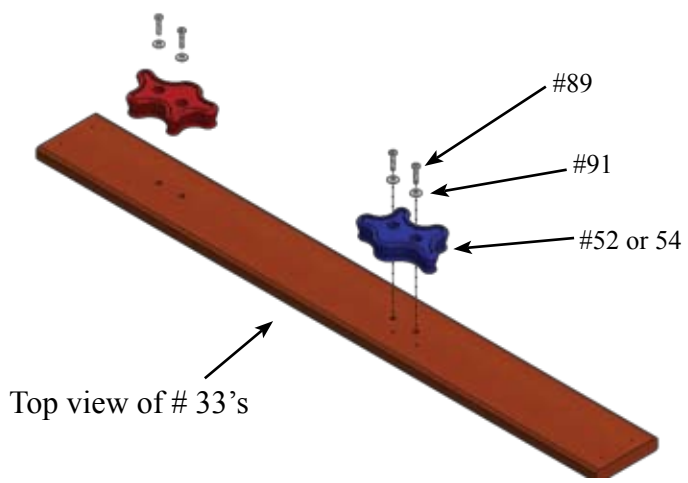
HARDWARE NEEDED

- #89- 1/4" x 1 1/2" Pan Phillips M/S- (32)
- #90- 1/4" x 7/16" 4 Prong TNut- (32)
- #91- 1/4" USS Flatwasher- (32)
- #94- 2 1/2" Coated Deck Screws- (56)
- #52 or 54- Large Rocks Multi Color or Green- (16)

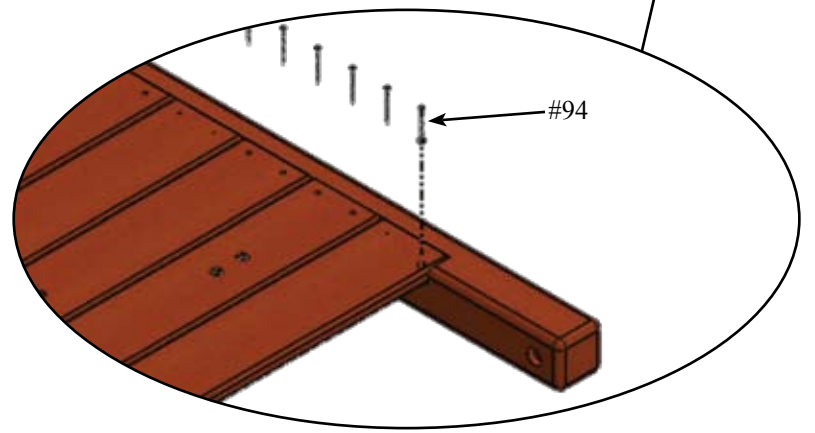
Bottom view of Rockwall



Bottom view of # 33's



Top view of # 33's



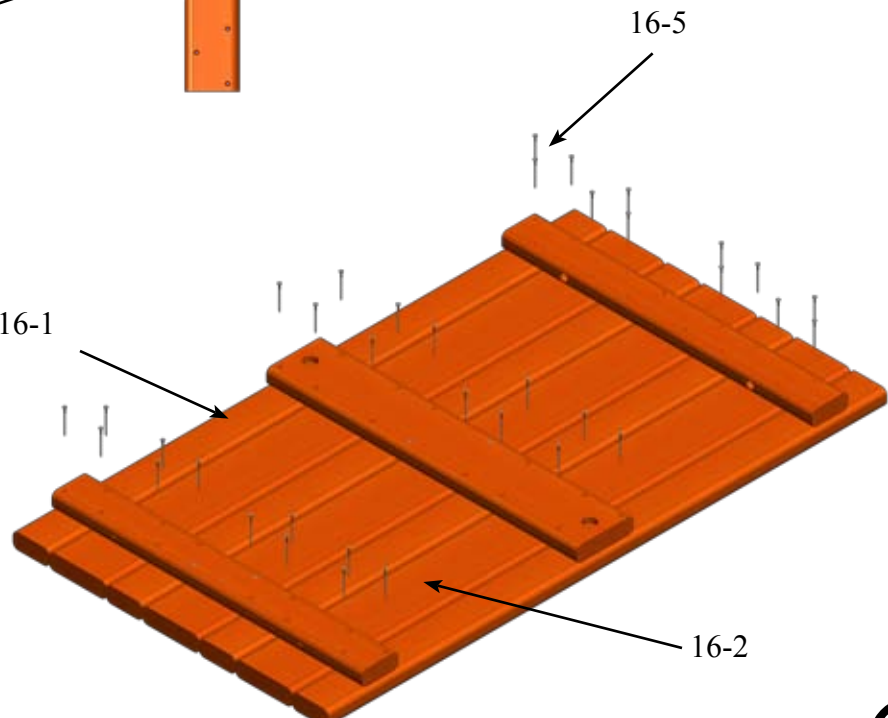
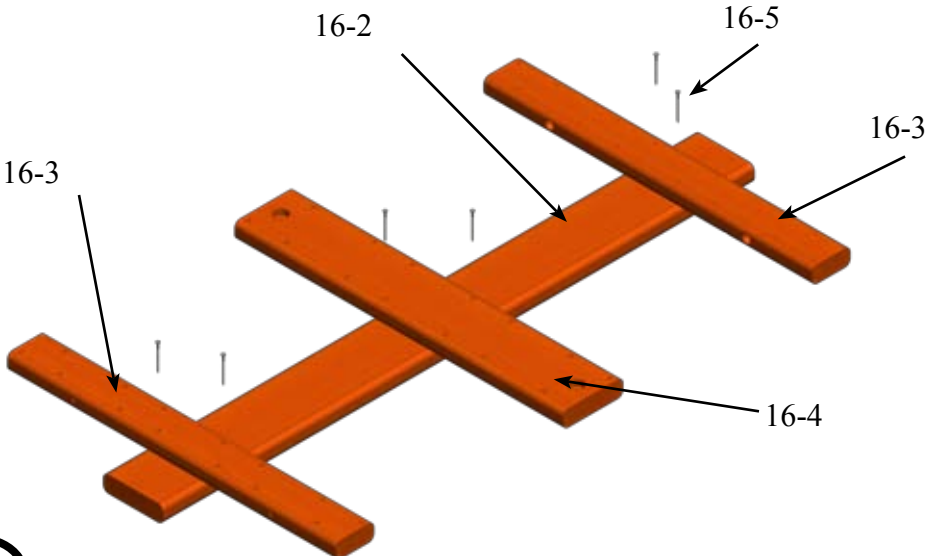
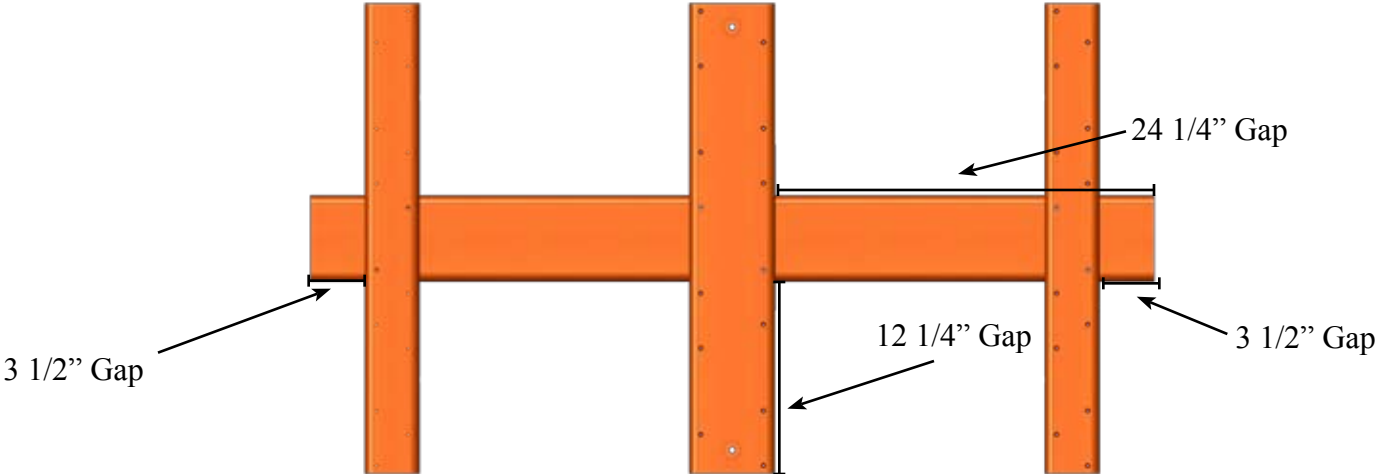
DECK ASSEMBLY

PARTS NEEDED

- 16-1- Small Deck Board- (8)
- 16-2- Large Deck Board- (6)
- 16-3- Deck Runner- (4)
- 16-4- Deck Support- (2)

HARDWARE NEEDED

- 16-5- 2 1/2" Coated Deck Screw- (56)



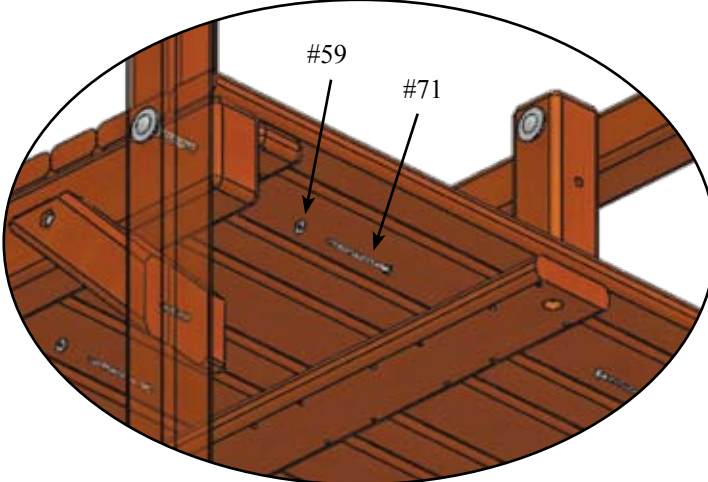
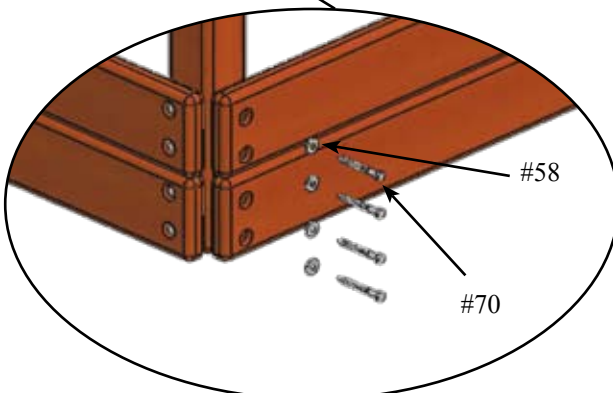
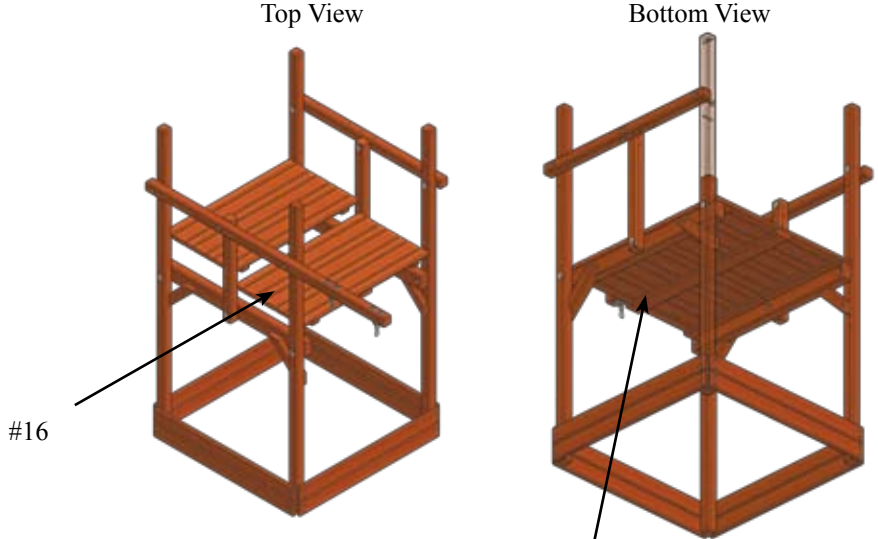
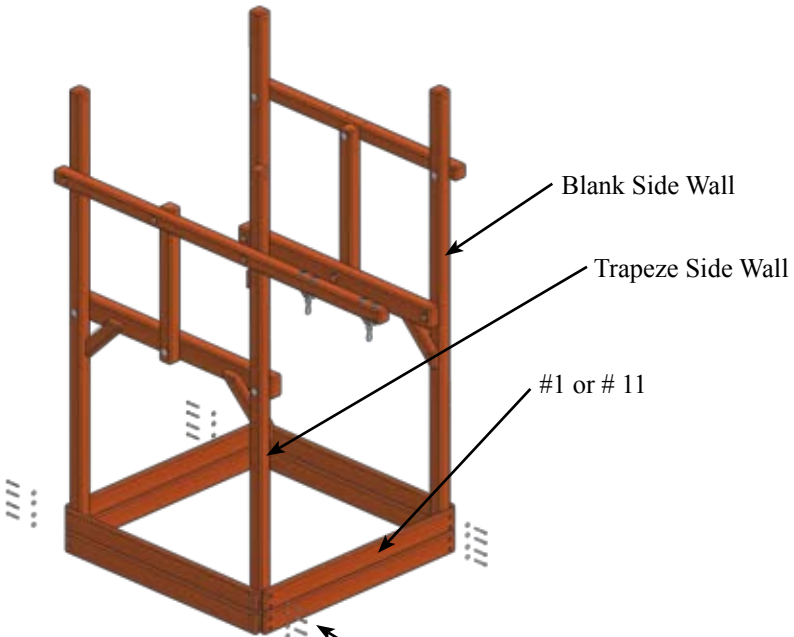
MAIN ASSEMBLY

PARTS NEEDED

- Blank Side Wall- (1)
- Trapeze Side Wall- (1)
- #1 or #11- Universal 4 Hole Facia- (4)
- #16- Universal Deck- (2)

HARDWARE NEEDED

- #58- 3/8" USS Flatwasher- (16)
- #70- 3/8" x 3 1/2" Lag Bolts- (16)
- #71- 1/4" x 4 1/2" Lag Bolts- (8)
- #59- 1/4" USS Flatwasher- (8)



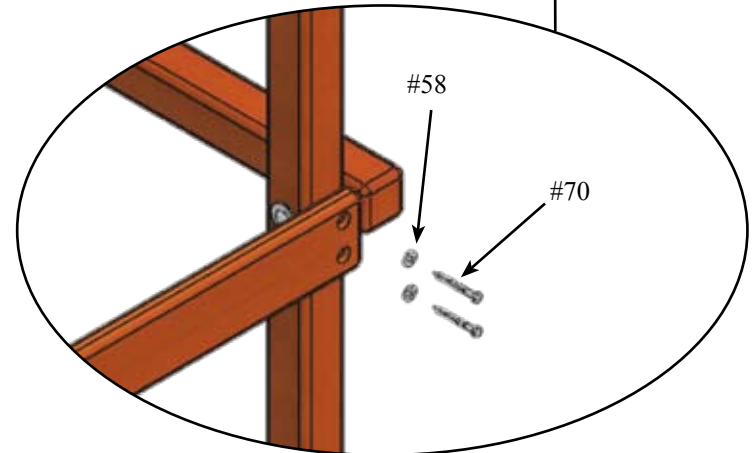
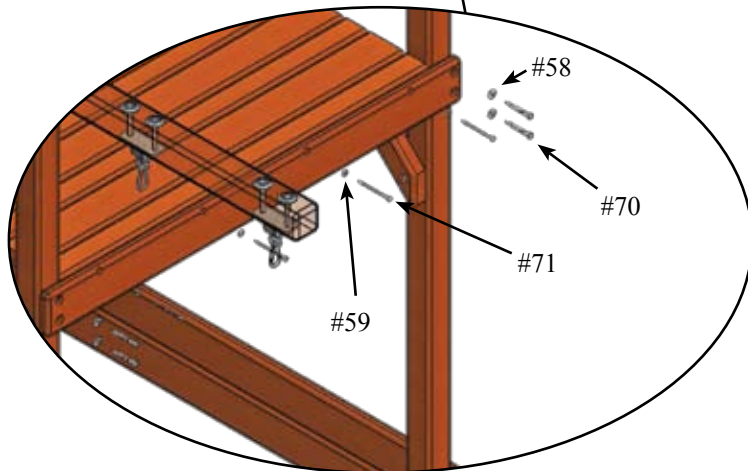
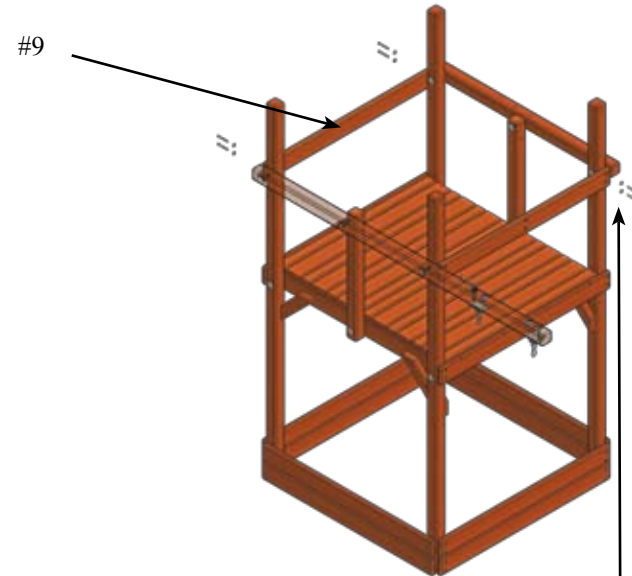
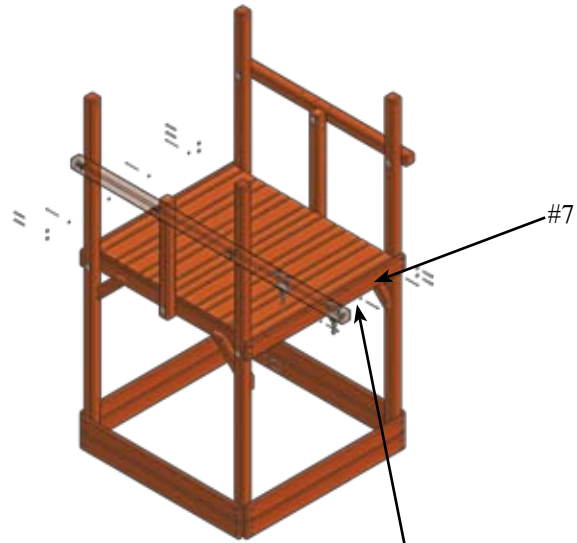
MAIN ASSEMBLY

PARTS NEEDED

- #7- Universal 8- Hole Facia- (2)
- #9- Universal 6 Hole Facia- (2)

HARDWARE NEEDED

- #71- 1/4" x 4 1/2" Lag Bolts- (8)
- #70- 3/8" x 3 1/2" Lag Bolts- (16)
- #58- 3/8" USS Flatwasher- (16)
- #59- 1/4" USS Flatwasher- (8)



TARP & WOOD ROOF ASSEMBLY

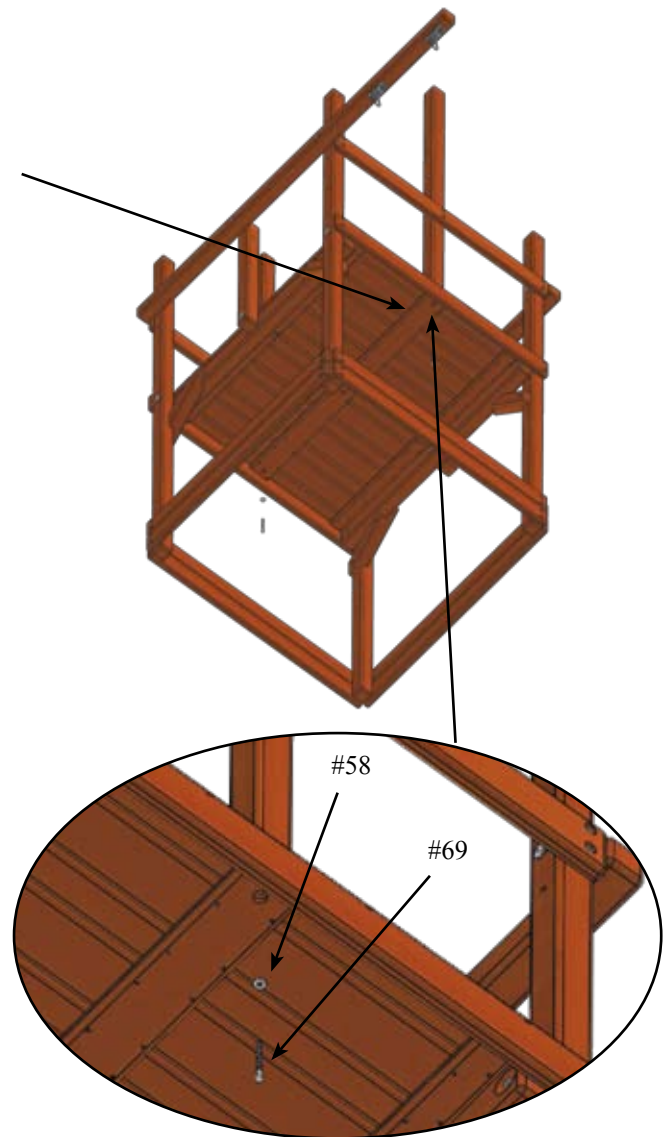
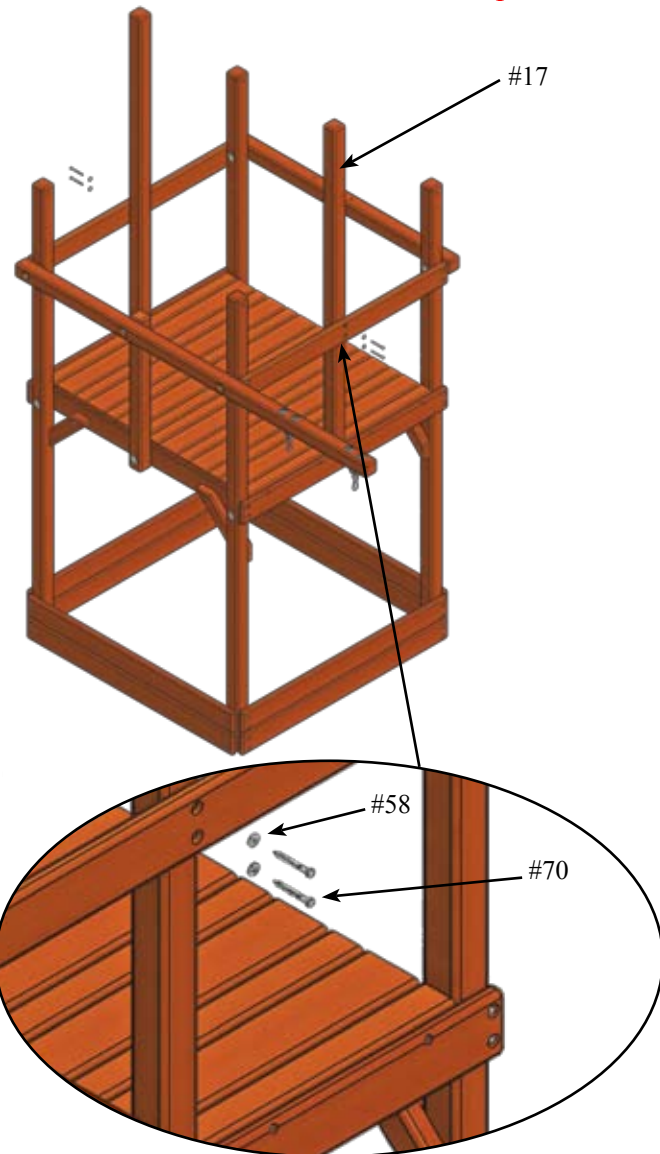
PARTS NEEDED

- #17- Universal Fort Center Post- (2)
- #28- Wood Roof Center Post- (2)

HARDWARE NEEDED

- #58- 3/8" USS Flatwasher- (6)
- #70- 3/8" x 3 1/2" Lag Bolt- (4)
- #69- 3/8" x 5" Lag Bolt- (2)

Step used for Tarp Center Uprights or Wood Roof Center Posts



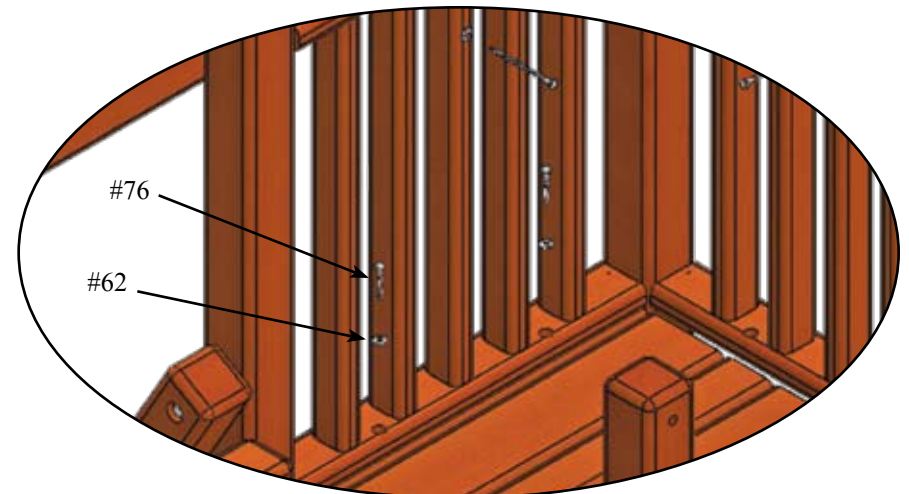
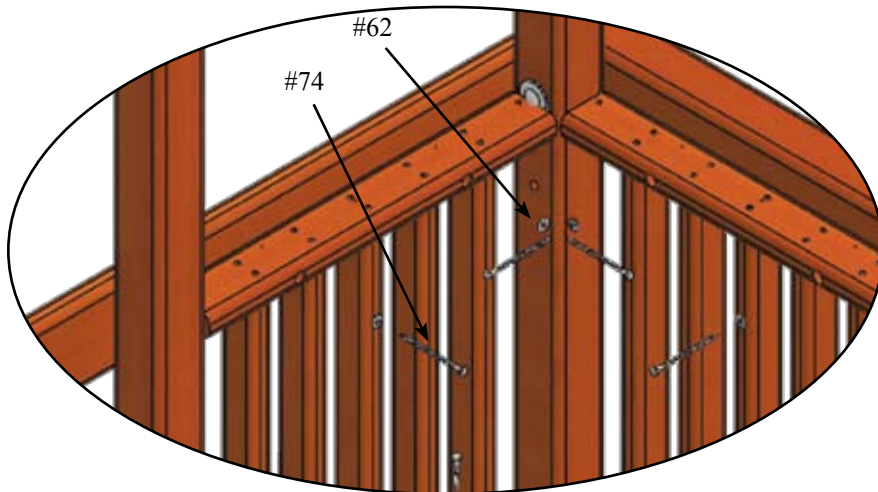
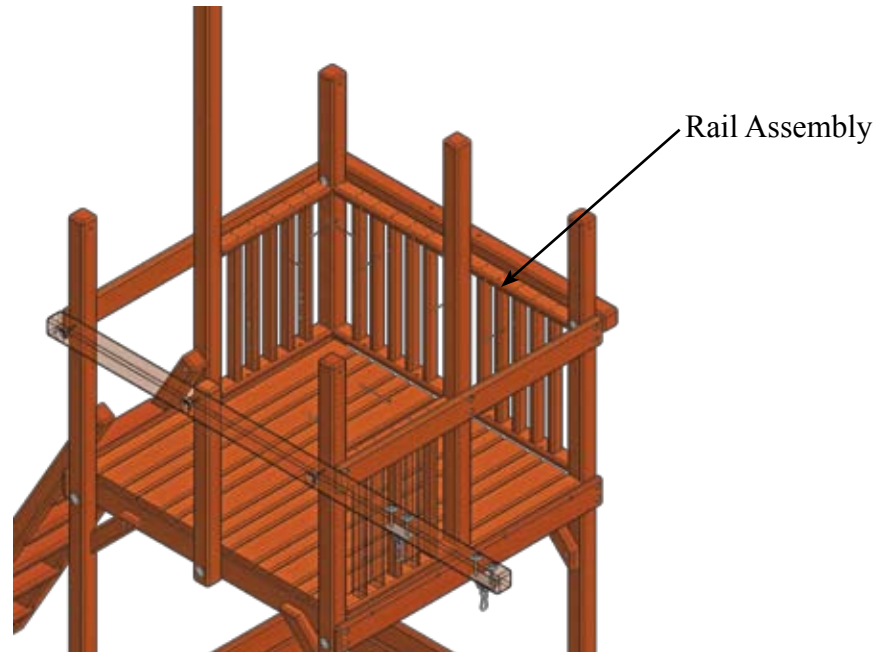
RAIL INSTALL

PARTS NEEDED

Rail Assembly- (Count varies with package)

HARDWARE NEEDED

| | |
|------------------------------|------|
| #76- 1/4" x 2" Lag Bolt- | (8) |
| #74- 1/4" x 4 1/2" Lag Bolt- | (8) |
| #62- 1/4" USS Flatwasher- | (16) |



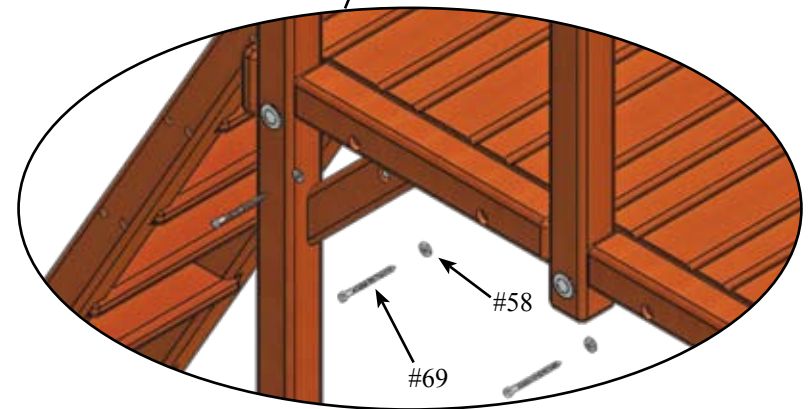
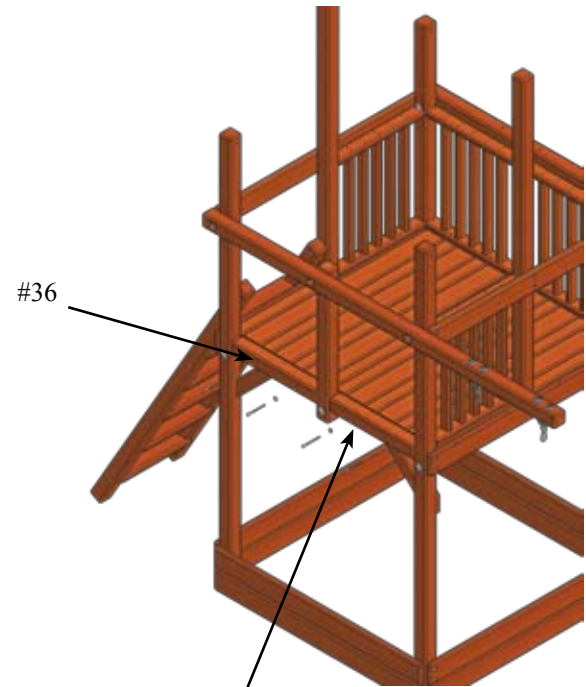
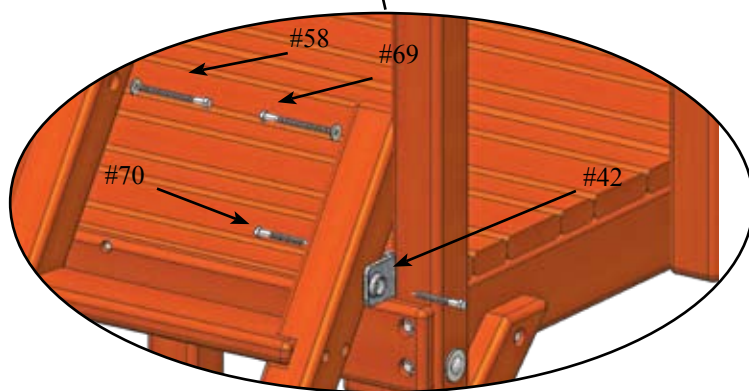
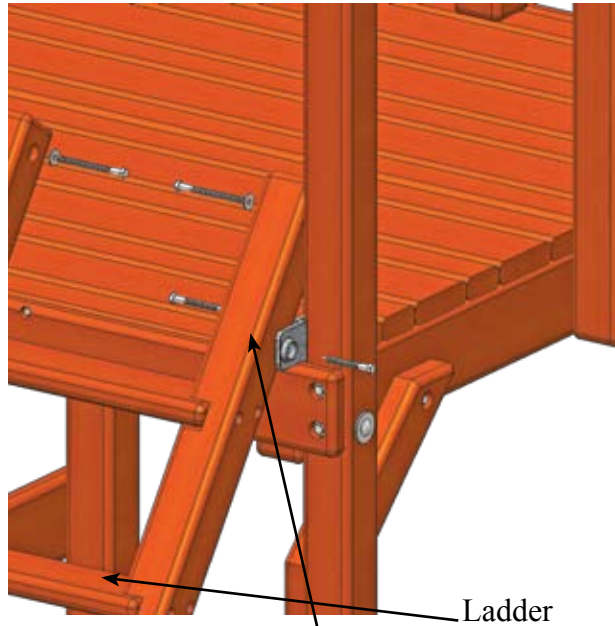
MAIN ASSEMBLY

PARTS NEEDED

- Ladder- (1)
- Rockwall- (1)
- #36- Universal Entrapment Block- (2)
- #42- Fort Ladder Bracket- (1)

HARDWARE NEEDED

- #58- 3/8" USS Flatwasher- (6)
- #69- 3/8" x 5" Lag Bolts- (4)
- #70- 3/8" x 3 1/2" Lag Bolts- (2)



MAIN ASSEMBLY

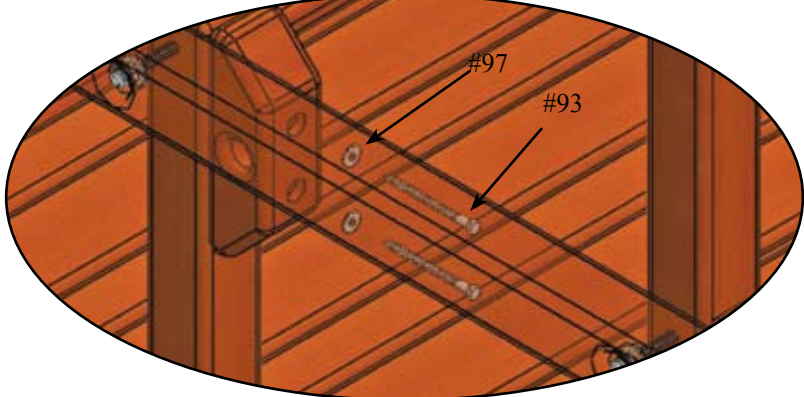
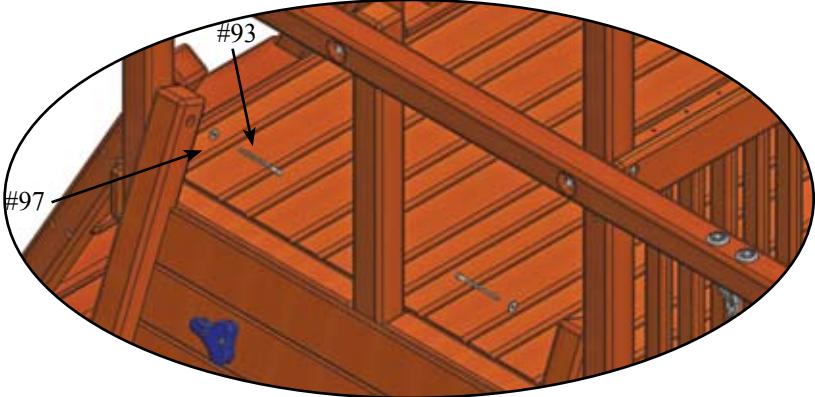
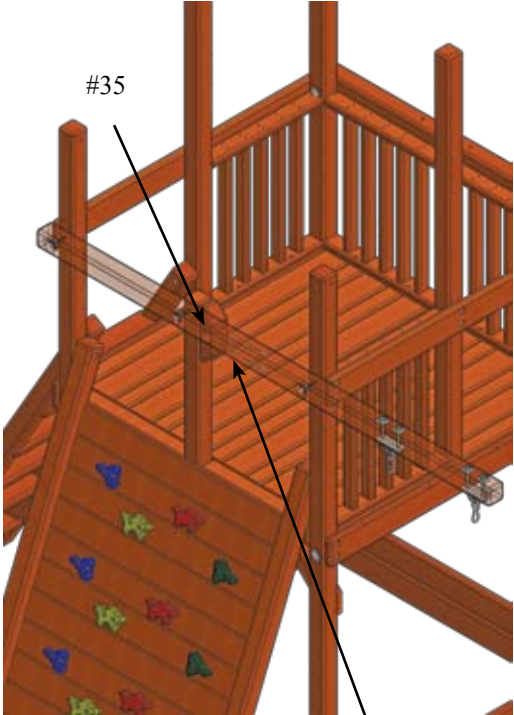
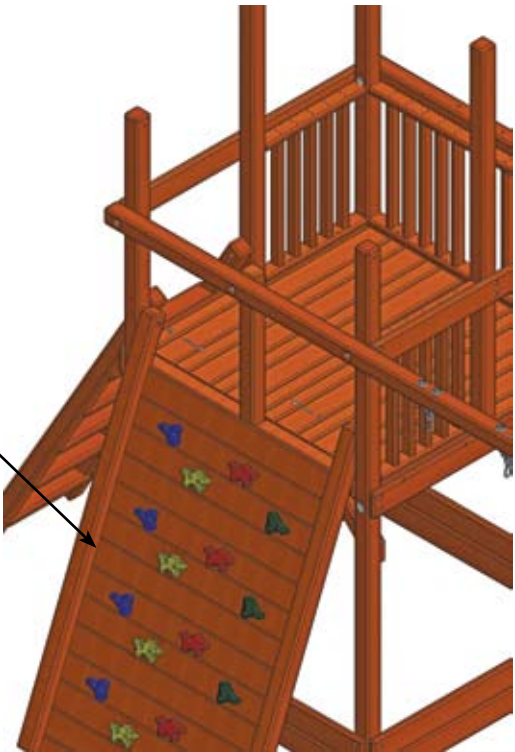
PARTS NEEDED

- Fort Rockwall- (1)
- #35- Universal Rope Block- (1)

HARDWARE NEEDED

- #93- 3/8" x 5" Lag Bolt- (4)
- #97- 3/8" USS Flatwasher- (4)

Rockwall Assembly



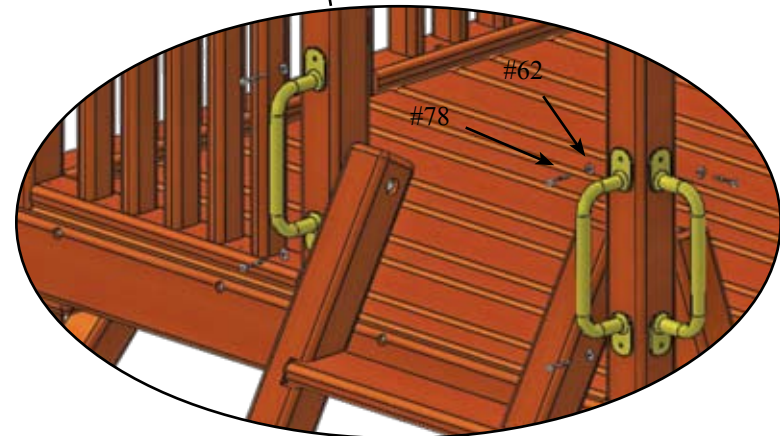
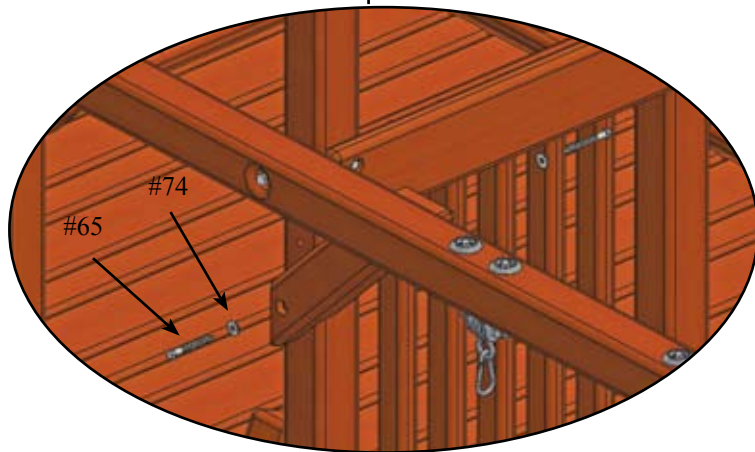
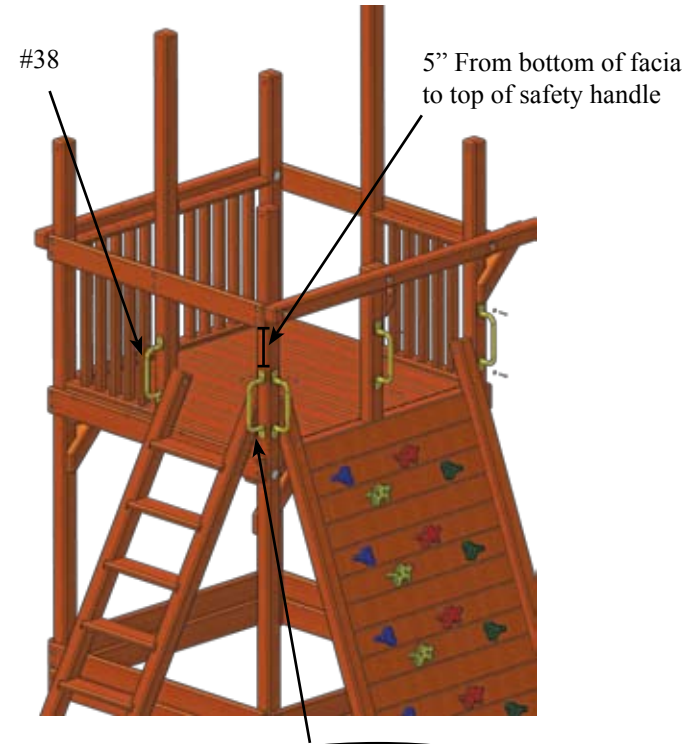
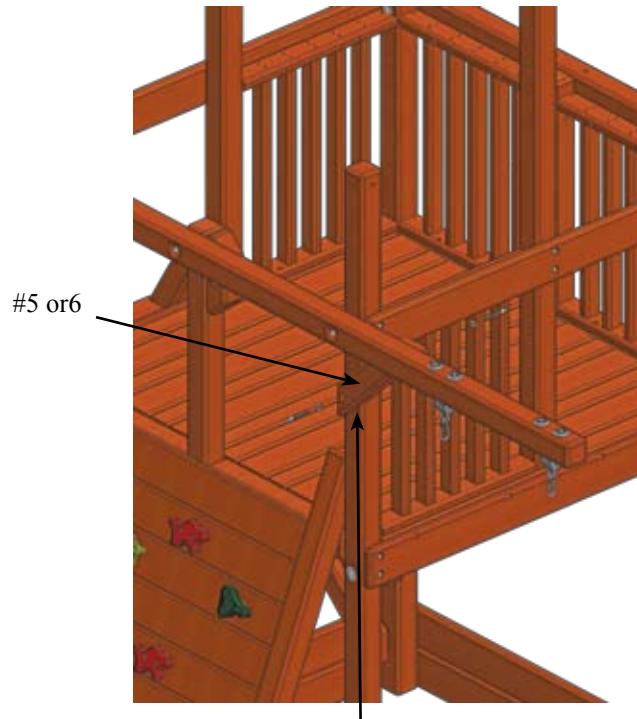
MAIN ASSEMBLY

PARTS NEEDED

- #5 or #6- Gusset Bracket- (1)
- #38- 1 1/4" Playgrip Safety Handles- (5)

HARDWARE NEEDED

- #74- #14 x 2" Pan Phillips- (10)
- #65- 3/8" x 3 1/2" Lag Bolt- (2)
- #71- 3/8" USS Flatwasher- (2)



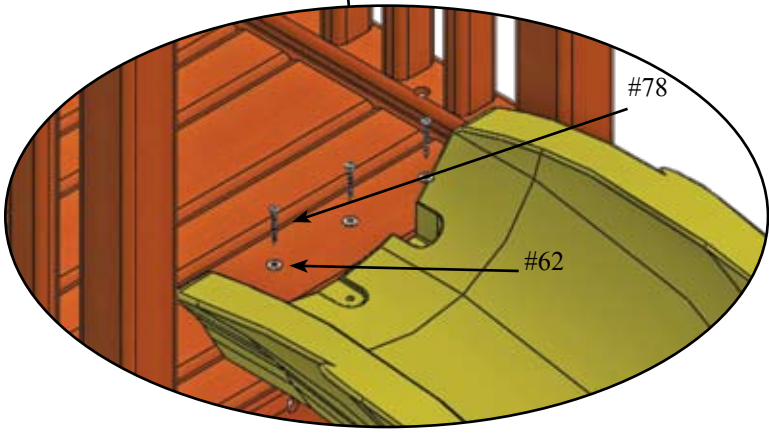
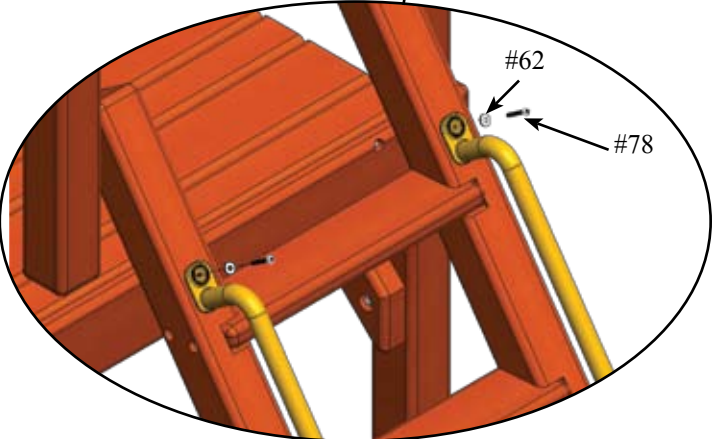
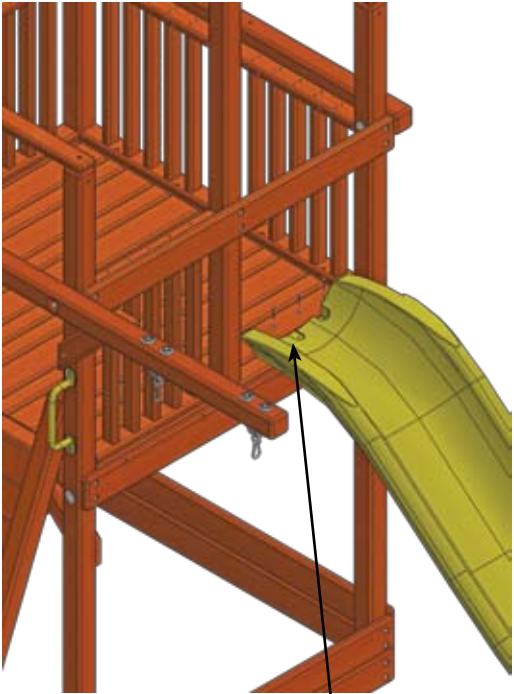
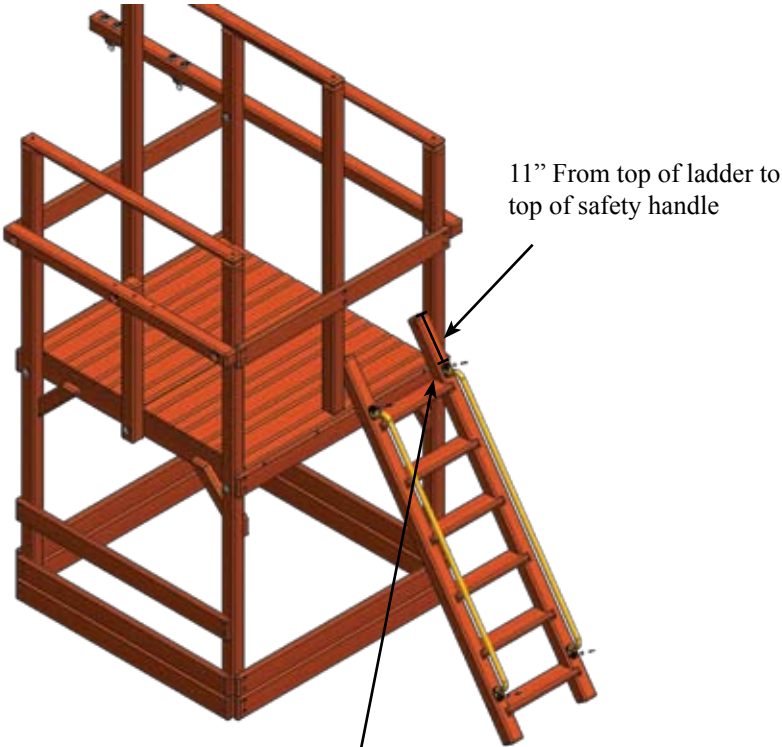
MAIN ASSEMBLY

PARTS NEEDED

- Slide- (1)
- #39- 1 1/4" Play Grip ladder handles- (2)

HARDWARE NEEDED

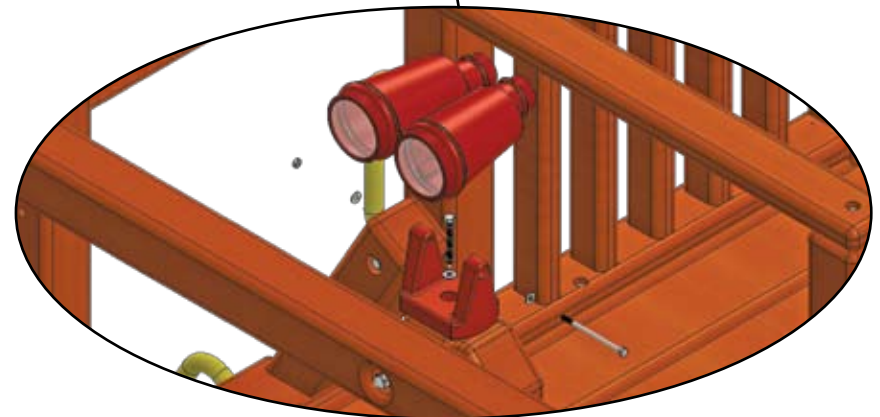
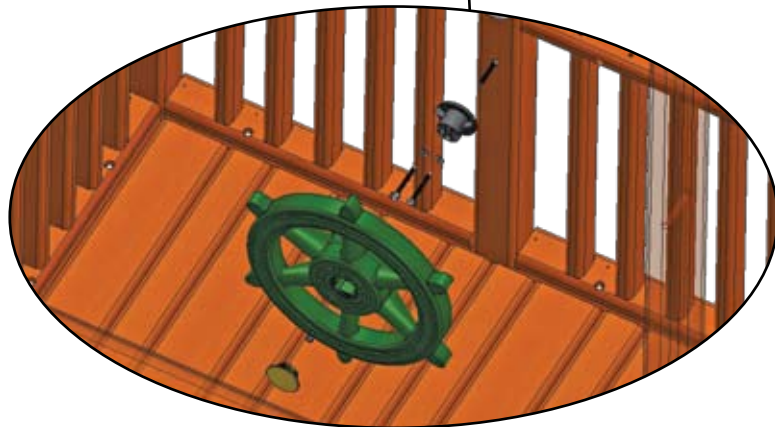
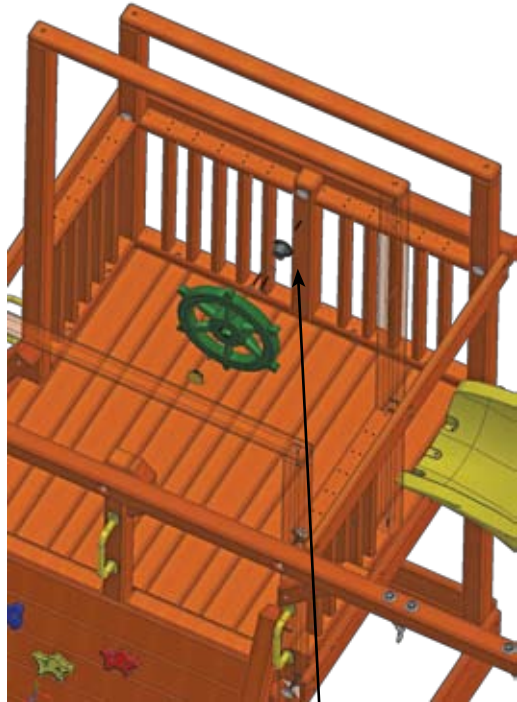
- #78- #14 x 2" Pan Phillips- (7)



MAIN ASSEMBLY

PARTS NEEDED

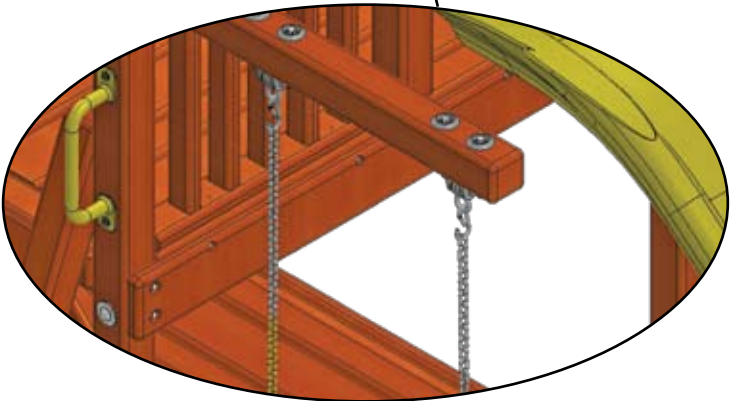
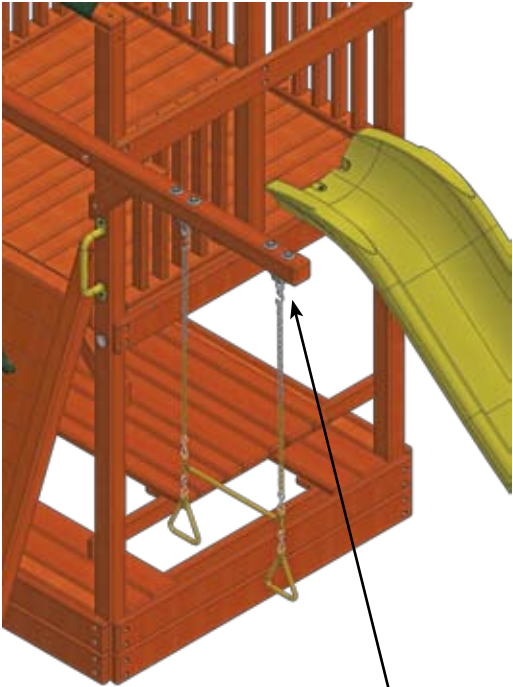
- #43 or 46- 19" Ship's Wheel w/ hardware- (1)
- #44 or 47- Telescope w/ hardware- (1)



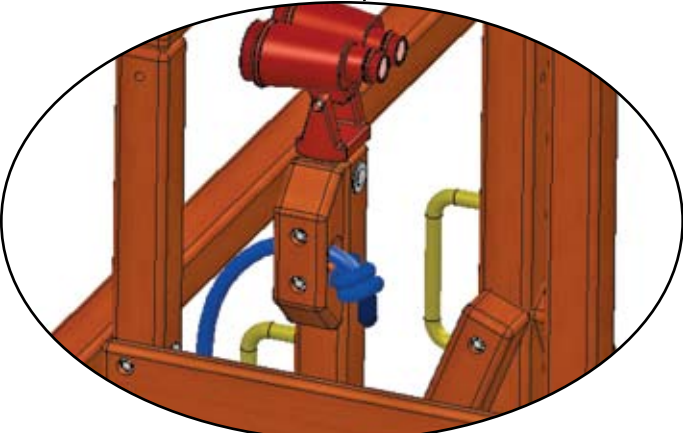
MAIN ASSEMBLY

PARTS NEEDED

- #45 or #48- 20" Trapeze w/ 43" Chain- (1)
- #53 or #55- 14' Yellow Rope- (1)



String the rope through # 31 on the Rockwall tie a knot every 2 to 3 ft. until you can string through #35 and tie a knot.



TARP ASSEMBLY

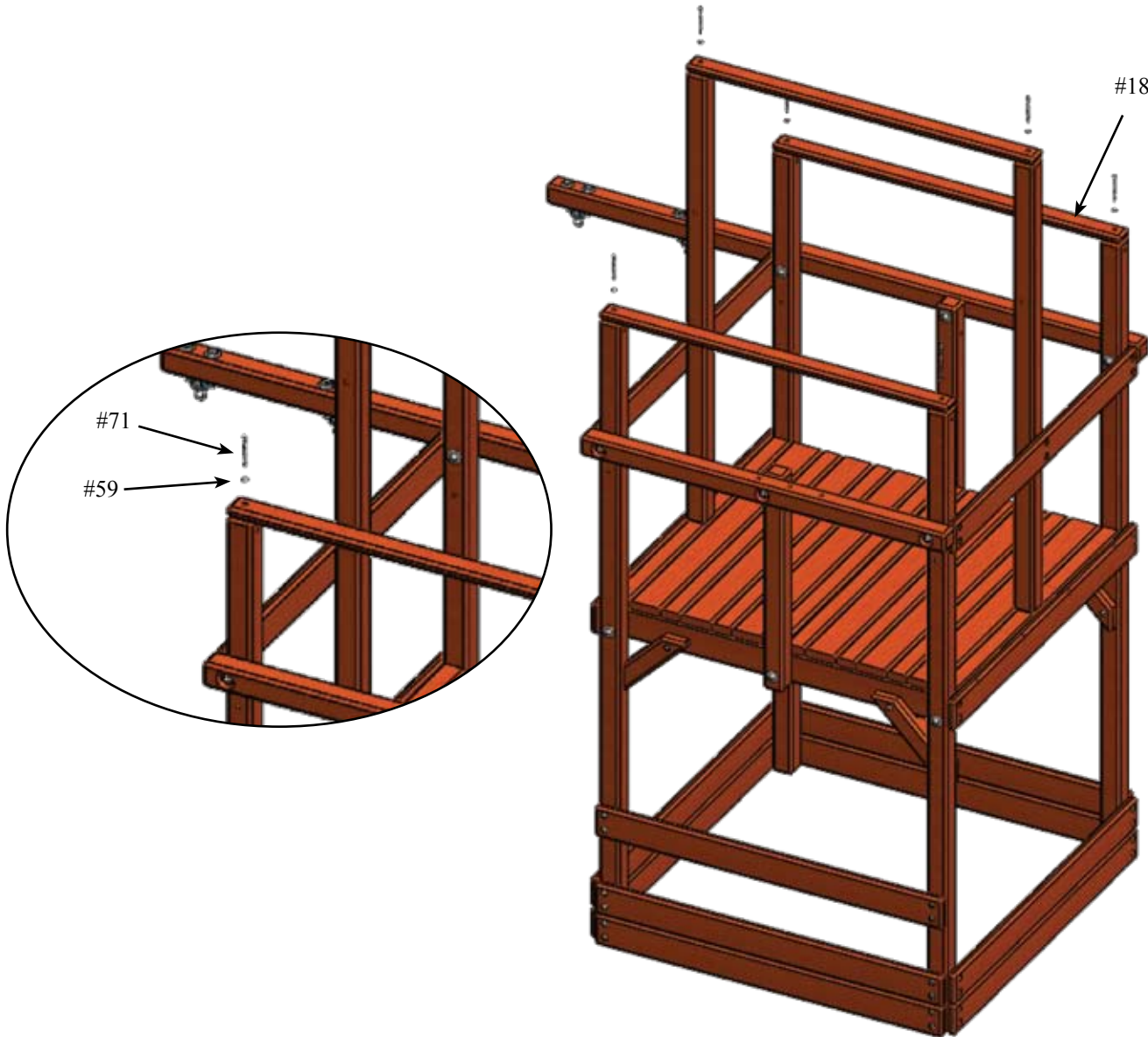
PARTS NEEDED

#18- Universal Tarp Board- (3)

HARDWARE NEEDED

#71- 1/4" x 4 1/2" Lag Bolts- (6)

#59- 1/4" USS Flatwasher- (6)



TARP ASSEMBLY

PARTS NEEDED

#49, #50, or #51- 53" x 92" Vinyl Tarp- (1)

HARDWARE NEEDED

#80- Tarp Snap Hardware- (1)

Figure A.



Figure A.- Take one corner of the VINYL TARP and place it flush in the corner.

Tap the snap with a blunt object, leaving an indentation of the snap in the wood. Repeat this process until all the snaps have been indented in the wood on both sides of the loft.

Figure B. - Using the indentions you just made with the snaps, take the 5/8"

PHILLIPS SCREW SNAPS and drill one into each indention.

Figure B.

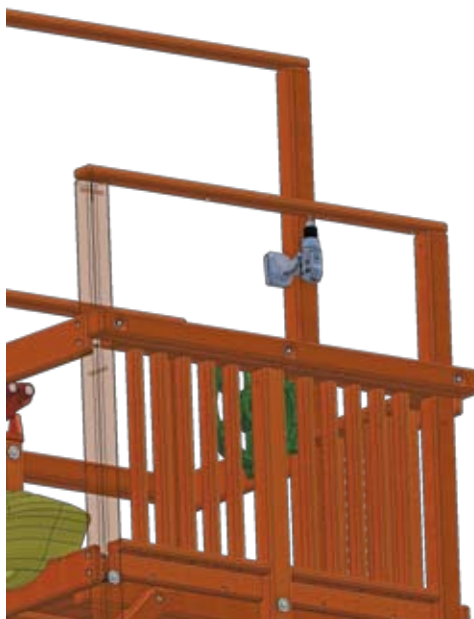


Figure C.



Figure C. - Take the corner of the VINYL TARP and start placing the snaps on the PHILLIPS SCREW SNAPS. Fold the VINYL TARP over the top of the UNIVERSAL TARP BOARD. Pull tight and place the snaps on the PHIL-LIPS SCREW SNAPS.

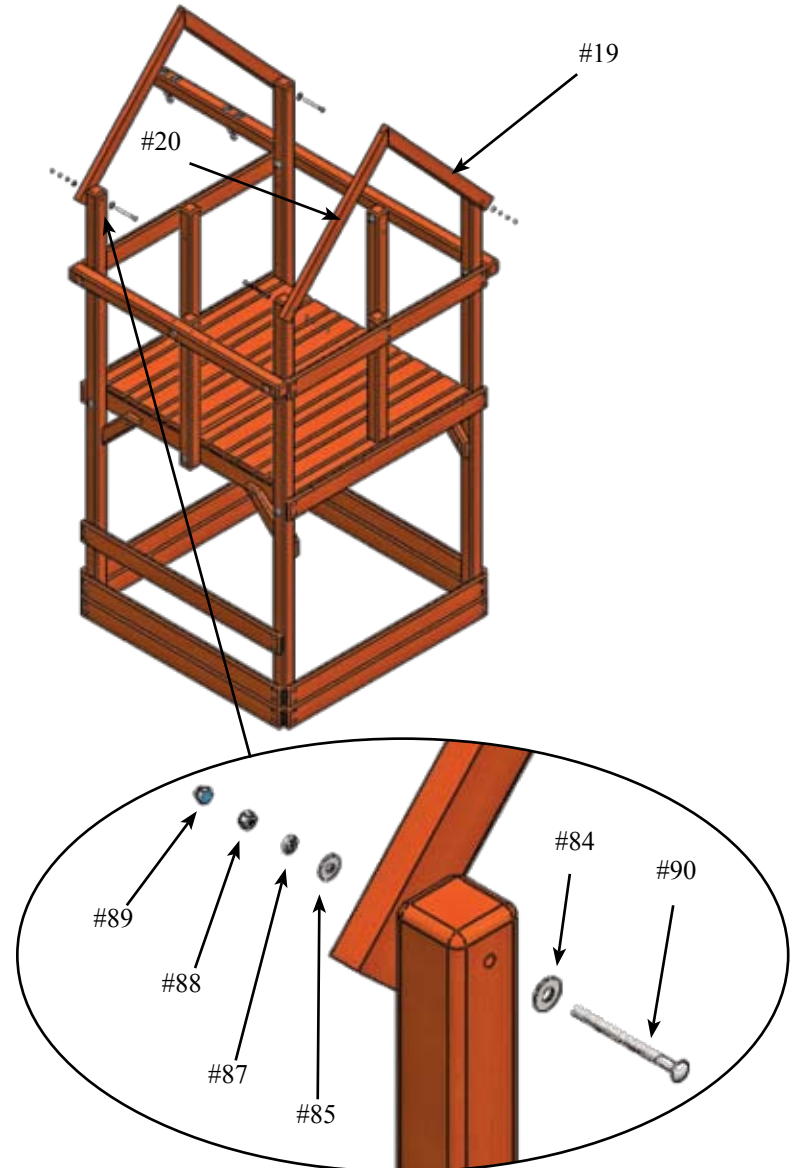
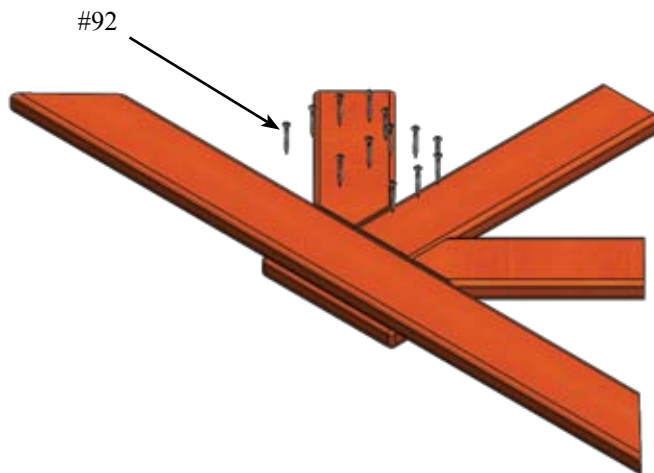
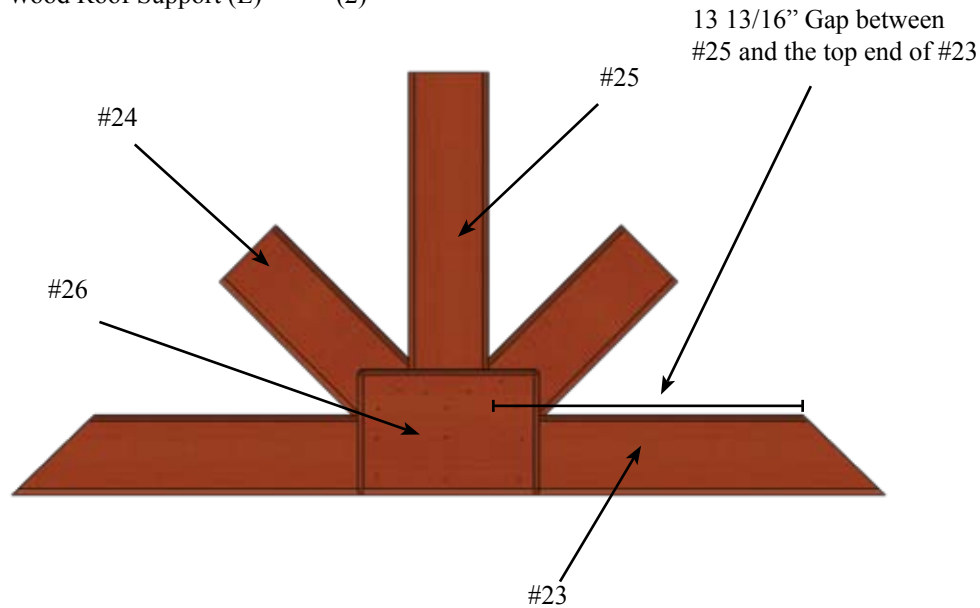
WOOD ROOF ASSEMBLY

PARTS NEEDED

- #23- Fort Fan Board #1- (2)
- #24- Fort Fan Board #2- (4)
- #25- Fort Fan Board #3- (2)
- #26- Fort Fan Board #4- (2)
- #19- Wood Roof Support (R)- (2)
- #20- Wood Roof Support (L)- (2)

HARDWARE NEEDED

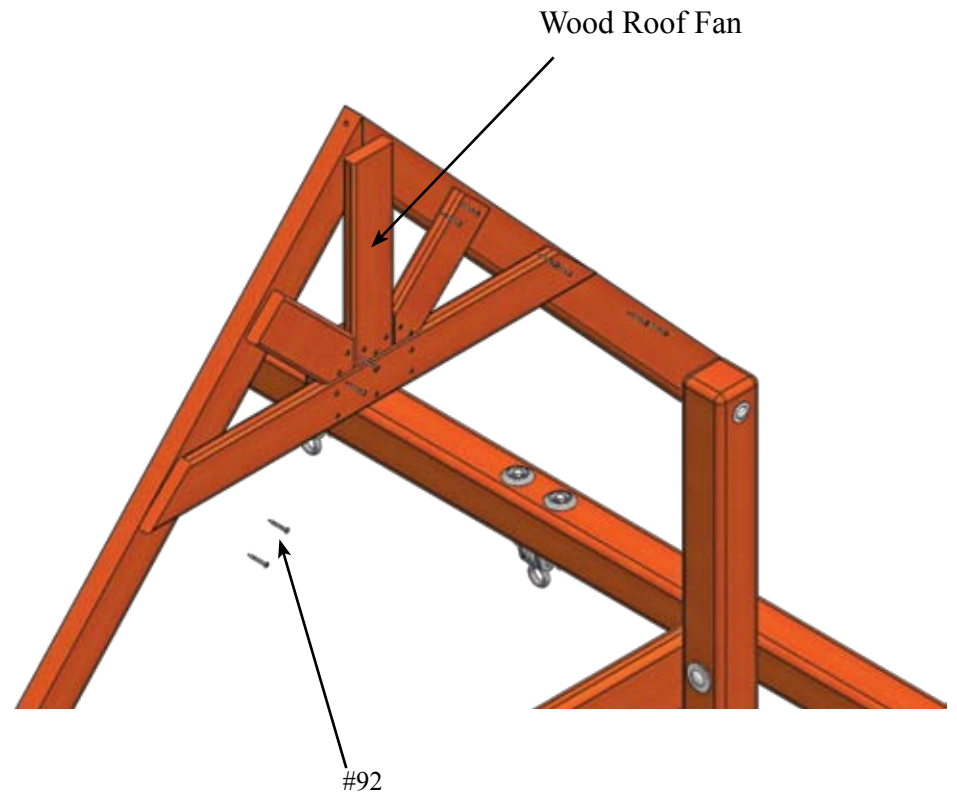
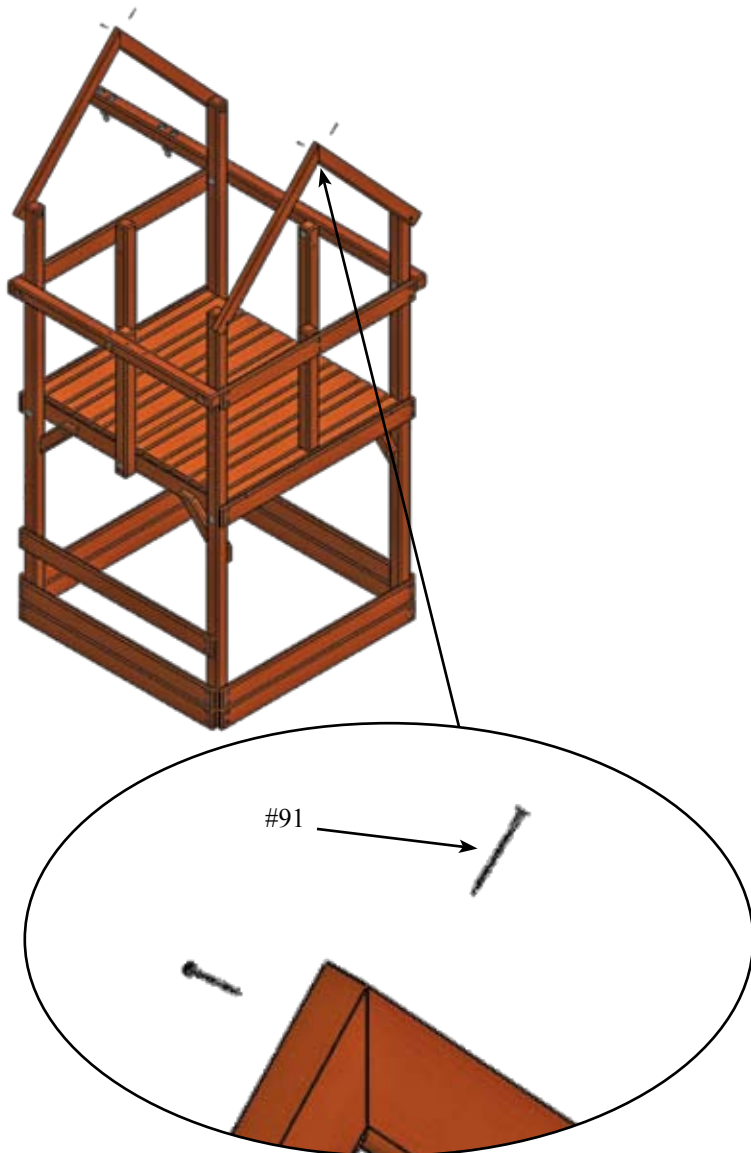
- #92- 1 5/8" Coated Deck Screw- (12)
- #90- 3/8" x 5 1/2" Carriage Bolt- (4)
- #84- 1/2" USS Flatwasher- (4)
- #85- 3/8" USS Flatwasher- (4)
- #87- 3/8" Split Lockwasher- (4)
- #88- 3/8" Hex Nut- (4)
- #89- 3/8" Acorn Nut- (4)



WOOD ROOF ASSEMBLY

HARDWARE NEEDED

#92- 1 5/8" Coated Deck Screw- (10)



WOOD ROOF ASSEMBLY

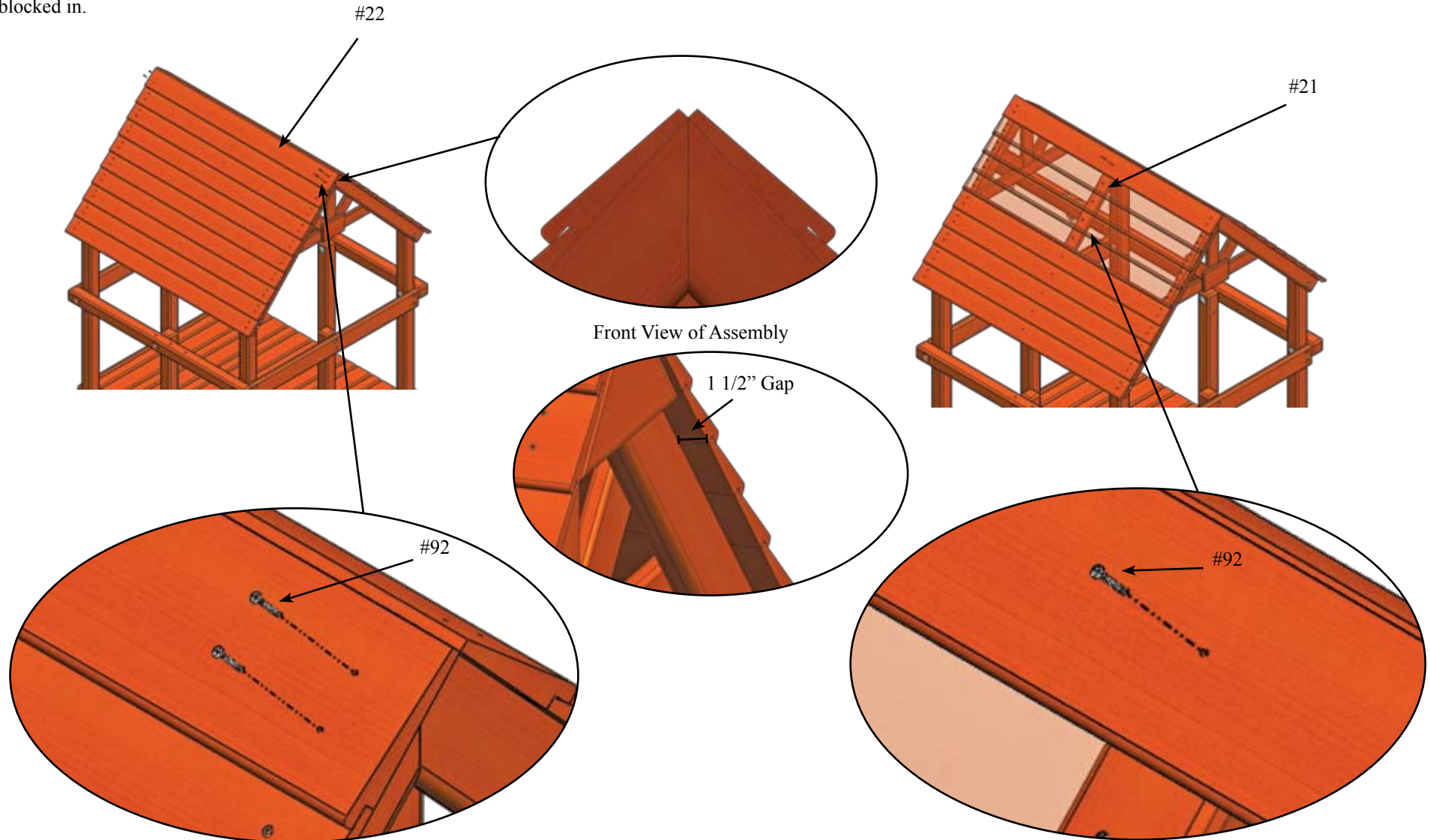
PARTS NEEDED

- #22- Wood Roof Board- (20)
- #21- Wood Roof Center Support- (2)

HARDWARE NEEDED

- #92- 1 5/8" Coated Deck Screw- (100)

Place #22's from the center of fort to the edge. So as not to get blocked in.



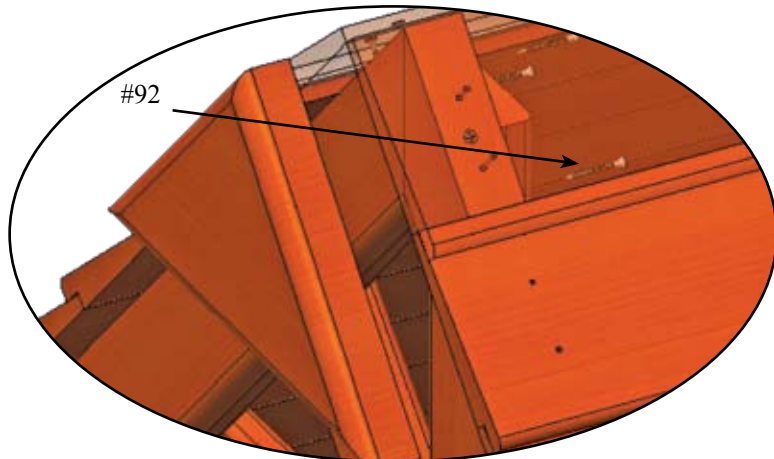
WOOD ROOF ASSEMBLY

PARTS NEEDED

#27- Wood Roof Peak Facia- (2)

HARDWARE NEEDED

#92- 1 5/8" Coated Deck Screw- (6)



View of Completed Roof Assembly